

unichrome

TRITON

AVON

*antique thermostatic
built-in dual control mixer shower*



**Installation and
Operating
Instructions**

INSTALLERS PLEASE NOTE THESE INSTRUCTIONS ARE TO BE LEFT WITH THE USER

<i>CONTENTS</i>	<i>Page</i>
Introduction	1
Safety warnings	1
Main components	2
Site requirements	3
Typical installations	4 - 5
Preparing the mixer valve	6
Siting of shower	6
Installation	7 - 8
Connecting the supply pipes	8
Fitting the fixed head	9
Fitting the face plate and controls	10
Commissioning	11
Operating the shower	11
Cleaning the filters	12
Spare parts	13
Fault finding	14 - 15
Guarantee, service policy, etc.	rear cover

INTRODUCTION

This book contains all the necessary fitting and operating instructions for your Triton Avon Antique built-in dual control thermostatic mixer shower. Please read them carefully. Read through the whole of this book before beginning your installation.

The shower installation must be carried out by a suitably competent person and in sequence of this instruction book.

Care taken during the installation will ensure a long and trouble free life from your shower.

For optimum performance within the specified running pressure range a minimum flow of eight litres per minute should be available to both inlets.

The mixer shower MUST NOT be subjected to water temperatures above 80°C.

This mixer shower is designed for use with traditional low pressure 'gravity' water systems, using a cold water cistern and hot water cylinder as well as for the higher pressure systems found in the U.K. up to a maximum of 5 bar running pressure.

Important: When installing this mixer with high pressure systems of 1 bar and above, the supplied flow restrictor must be installed in the shower head.

This mixer shower is suitable for fully modulating type combination boilers and multi-point hot water heaters. Also suitable for thermal storage, unvented systems and pumped gravity systems.

Important: Before installing with a gas instantaneous water heater, ensure it is capable of delivering hot water at a minimum switch-on flow rate of 3 litres per minute. At flow rates between 3 and 8 litres per minute, the appliance must be capable of raising the water temperature to a minimum of 52°C. Water temperature at the inlet to the mixer must remain relatively constant when flowrate adjustments are made (refer to the water heater operating manual to confirm compatibility with this mixer shower).

This mixer shower is supplied with an integral

single check valve and integral large area filter in each inlet. Inlet connections are by 3/4" BSP to 22mm or 15mm compression (not supplied).

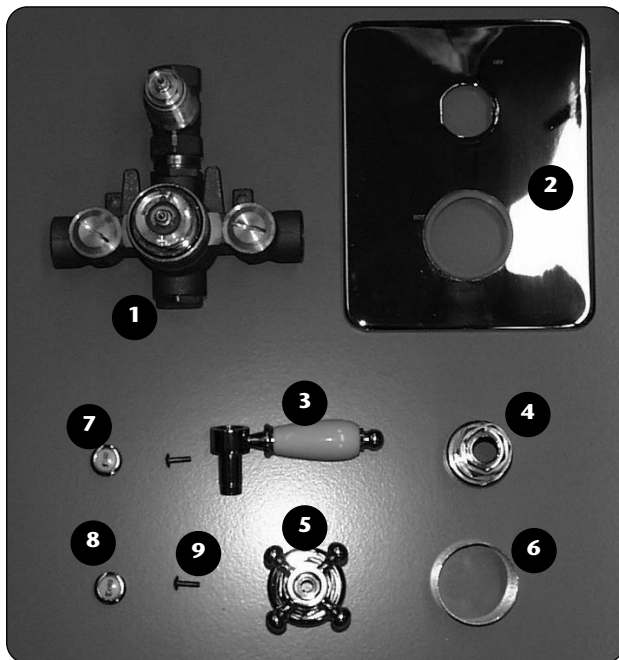
SAFETY WARNINGS

- a** Layout and sizing of pipework must be such that when other services are used, pressures at the shower control inlets DO NOT fall below the recommended minimum.
- b** DO NOT choose a position where the shower could become frozen.
- c** DO NOT connect this mixer shower to any form of tap or fitting not recommended by the manufacturer.
- d** The sprayhead must be regularly cleaned to remove scale and debris.
- e** Conveniently situated service valves in each inlet supply must be fitted as an independent method of isolating the shower should maintenance or servicing be necessary.
- f** If it is intended to operate the shower in areas of hard water (above 200 ppm temporary hardness), a scale inhibitor may have to be fitted. For advice on the Triton scale inhibitor, please contact Customer Service.
- g** Do not operate the shower outside the guidelines as laid out in 'site requirements'.

Replacement parts can be ordered from Triton Customer Service. See 'spare parts' for details and part numbers.

Due to continuous improvement and updating, specification may be altered without prior notice.

MAIN COMPONENTS



- | | |
|-----------------------------------|-------------------------------|
| 1 Mixer valve | 8 Ceramic cap – ‘temp’ |
| 2 Face plate | 9 Screws |
| 3 On/off flow lever | - Tiling shroud |
| 4 Threaded trim ring | - Sprayhead and arm |
| 5 Temperature control | - Flow limiter |
| 6 Temperature control trim | - Fixing screws/wall plugs |
| 7 Ceramic cap – ‘flow’ | |

SITE REQUIREMENTS

The installation must be in accordance with Water Regulations and Byelaws.

Running water pressure:

- Gravity fed – 0.1 bar min.
1.0 bar max.
- Mains fed – 1.0 bar min.
5.0 bar max.

Maximum static water pressure:

- Gravity and mains – 10 bar

DO NOT connect the mixer shower to a gravity hot supply and a mains cold supply (or vice versa).

For optimum performance within the specified running pressure range a minimum flow of eight litres per minute should be available to both inlets.

While the mixer shower is operational (open outlet), inlet pressures must not be capable of exceeding 7 bar. For effective operation of the internal seals, the maximum static pressure must not be exceeded.

NOTE: On sites where the running pressure is above 5 bar, the use of a suitably sized pressure reducing valve fitted in the cold mains supply pipework can provide nominally equal pressures at the shower mixer.

The pipework should be installed such that the flow is not significantly affected by other taps and appliances being operated elsewhere on the premises.

NOTE: Where thermal store systems and instantaneous gas water heaters are used, if excessive draw offs take place the boiler may not be able to maintain an adequate output temperature. This could result in the shower temperature becoming noticeably cooler.

Water temperature requirements

Maximum hot water temperature = 80°C

Recommended maximum = 65°C

Minimum hot water temperature = 52°C

Maximum cold water temperature = 20°C

BS6700 recommends that the temperature of stored water should never exceed 65°C.

A stored water temperature of 60°C is considered sufficient to meet all normal requirements and will minimise the effects of scale in hard water areas.

Temperature adjustment range

The mixed water temperature can be adjusted from cold through to a top limit which must be pre-set during installation with full anti-scald protection throughout the range (35°C to 40°C) providing the hot water temperature at the inlet remains 10°C above the outlet temperature.

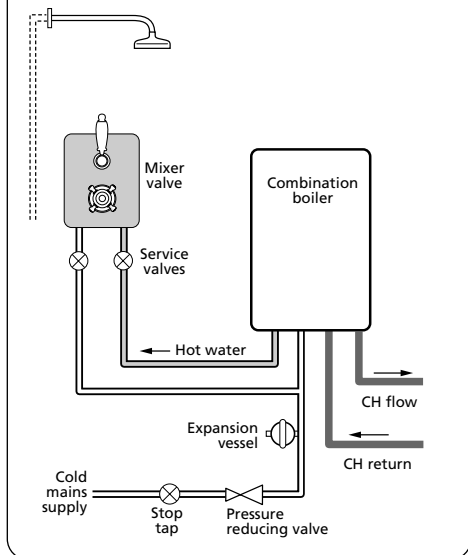
To ensure the product suitability for commercial and multiple installations, please contact Triton's specification advisory service prior to installation.

Telephone: (024) 7632 5491

Facsimile: (024) 7632 4564

E mail: technical@triton.plc.uk

Fig.2 (diagrammatic view – not to scale)



TYPICAL SUITABLE INSTALLATIONS

a) Instantaneous gas-heated systems, e.g. combination boilers (fig.2).

The shower control **MUST** be installed with a multipoint gas water heater or combination boiler of a fully modulating design (i.e. to maintain relatively stable hot water temperatures).

A drop tight pressure reducing valve **MUST** be fitted if the supply pressures exceed 5 bar running.

An expansion vessel (shown in **fig.2**) **MUST** be fitted, and regularly maintained, to ensure the shower mixer is not damaged by excess pressures. This may already be installed within the boiler (check with manufacturer) and is in addition to the normally larger central heating expansion vessel.

The layout and sizing of pipework **MUST** be such that nominally equal inlet supply pressures are achieved and the effects of other draw-offs are minimised. The hot supply temperature **MUST** remain a minimum of 10°C hotter than the required blend temperature for optimum performance.

b) Unvented mains pressure systems (fig.3).

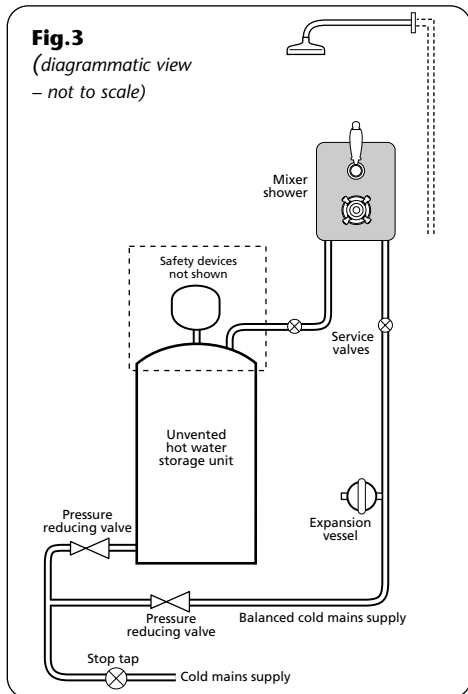
The shower control can be installed with an unvented, stored hot water cylinder.

For systems with no cold water take off after the appliance reducing valve, it will be necessary to fit an additional drop tight pressure reducing valve when the mains pressure is over 5 bar. The drop tight pressure reducing valve must be set at the same value as the unvented package pressure reducing valve.

NOTE: An additional expansion vessel (**fig.3**) may be required if a second pressure reducing valve is installed. This does not apply to packages with a cold take off after the pressure reducing valve to the cylinder.

The layout and sizing of pipework **MUST** be such that nominally equal inlet supply pressures are achieved and the effects of other draw-offs are minimised.

Fig.3
(diagrammatic view
– not to scale)



c) Mains pressurised thermal store systems (fig.4).

Packages of this type, fitted with a tempering valve (blender valve) can be used. A drop tight pressure reducing valve **MUST** be fitted if the supply pressures exceed 5 bar running.

An expansion vessel (shown in **fig.4**) **MUST** be fitted, and regularly maintained, to ensure the unit is not damaged by excess pressures. This may already be installed externally or internally within the thermal store (check with thermal store manufacturer).

d) Gravity fed systems (fig.5).

The shower control **MUST** be fed from a cold water cistern and hot water cylinder providing nominally equal pressures. There must be a minimum of one metre head of water. The minimum head distance is measured from the base of the cold water cistern to top of the shower head.

INSTANTANEOUS WATER HEATERS APPLIANCE CAPABILITIES

In order to ensure the optimum performance from the shower when connected to an instantaneous water heater, the appliance must be capable of raising the temperature of the incoming water to a minimum of 52°C (125°F) and delivering a flow rate of not less than eight litres per minute.

A flow limiter is supplied for the insertion into the shower head which controls the maximum flow of eight litres per minute.

To fit the flow limiter unscrew the shower head from the ball joint. Insert the flow limiter flat face up into the shower head fit the flat face washer and refit the shower head to the ball joint.

With the flow limiter fitted and when the system is in use, the on/off flow control should be turned fully anti-clockwise to full flow setting.

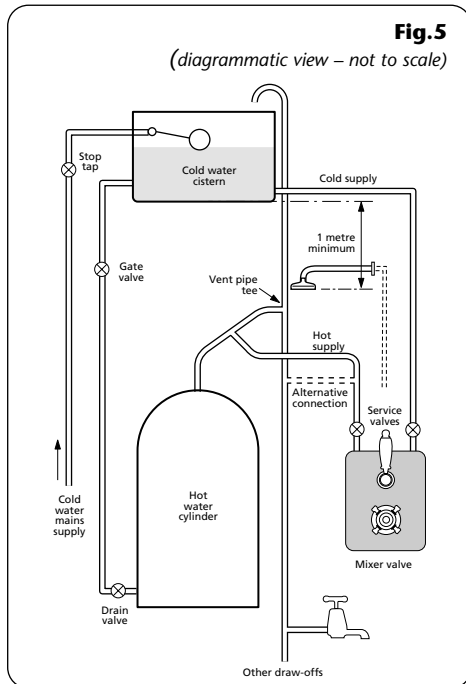
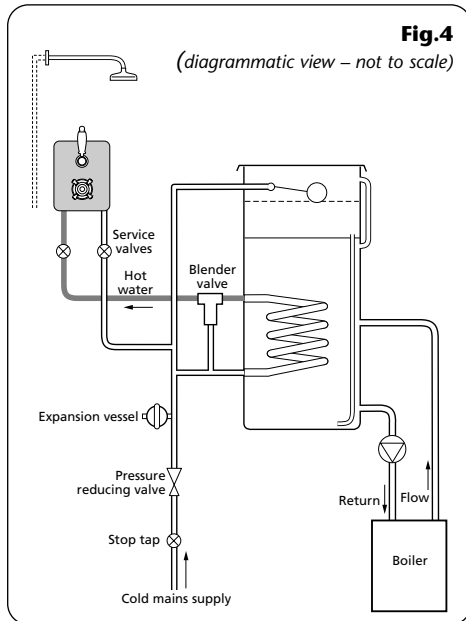
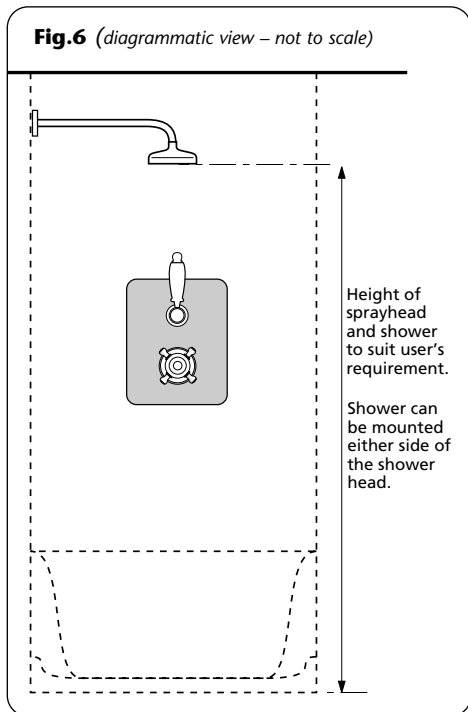


Fig.6 (diagrammatic view – not to scale)



PREPARING THE MIXER VALVE

Check the contents to ensure all parts are present.

Before commencing the installation, make sure all the apertures on the valve are carefully covered to prevent ingress of any debris etc.

The shower valve is suitable for installation in a chased out cavity in a solid wall, a stud partition wall, dry lined wall or fixing to a shower cubicle or panel.

The hot and cold water pipes should not be permanently attached to the wall within a metre from the valve prior to installation to allow for final adjustment of the valve position.

SITING OF THE SHOWER

WARNING: THE SHOWER MUST NOT BE POSITIONED WHERE IT WILL BE SUBJECT TO FREEZING CONDITIONS.

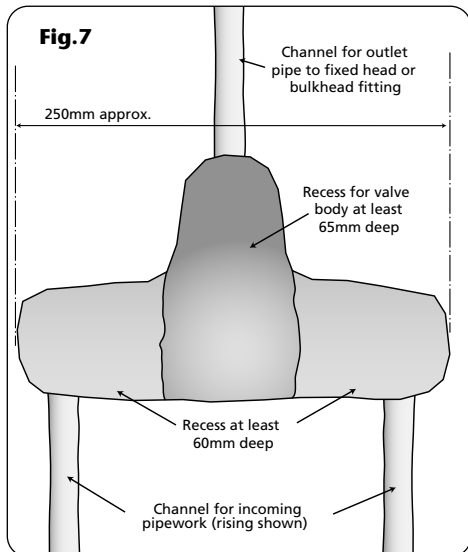
Refer to **fig.6** for correct siting of the shower.

Position the shower and sprayhead on the wall so that all controls can be comfortably reached whilst using the shower. The sprayhead can be positioned either side of the shower.

The unit must be positioned vertically with the outlet port at the top of the brass body (marked with an 'arrow').

Important: The hot entry port is stamped 'HOT' on the mixer body.

Fig.7



INSTALLATION

a) General conditions

NOTE: The outlet of the shower must not be connected to anything other than the sprayhead supplied.

DO NOT use jointing compounds on any pipe fittings for the installation.

Suitable 3/4" BSP to 22mm or 15mm compression fittings (not supplied) must be used for connecting to the water supplies.

DO NOT solder fittings within the vicinity of the mixer unit as heat transfer can damage the seals and thermostatic components.

NOTE: Suitable service valves (complying with Water Regulations and Byelaws) MUST be fitted on the hot and cold water supplies to the shower as an independent means of isolating the water supplies should maintenance or servicing be necessary

When connecting the pipework, avoid using tight 90° elbows. Swept or formed bends will ensure optimum performance.

The hot water inlet is stamped 'HOT' and the cold water inlet is identified 'COLD'.

3/4" BSP straight or elbow male thread couplers must be fitted to the inlet ports for either rising, rear or falling hot and cold water supplies.

A 3/4" BSP straight coupler needs to be fitted to the valve outlet.

NOTE: These couplers are NOT supplied.

Screw the couplers into the inlets and the outlet of the valve. THE COUPLERS MUST BE TIGHTENED AGAINST THE VALVE BODY. The fittings will require PTFE tape or other means of sealing.

Before starting, ensure the available depth of recess or cavity is between 65 - 80mm measured from the finished surface.

The allowance for varying thickness of tiles up to 10mm is accommodated by a limited degree by the tolerance between the control knob and trim ring.

b) Installation in a solid wall

Decide on the shower position and determine whether the hot and cold water supplies will enter the shower from the top (falling) or bottom (rising) or rear.

The building depth should be at least 65mm deep from the finished wall surface.

As a guide for the size of hole, it should be sufficient to accept the valve complete with the inlet and outlet fittings and also allowing access for connection to the pipework (**fig.7**).

Remove the plaster and brickwork to the required depth and chase out any additional areas of the wall to facilitate pipework to and from the valve. Note that the valve body requires a deeper recess (approximately 5mm greater) than the inlet and outlet fittings.

Offer the valve body up to the wall and mark the two fixing holes. Remove the valve and drill and plug the wall. Route the pipework to valve body position.

Flush out the pipework in accordance with Water Regulations and Byelaws.

Offer the valve up to the pipework and secure with screws through the two fixing brackets on the valve body.

Proceed to 'connecting supply pipes' section.

c) Installation in a hollow wall

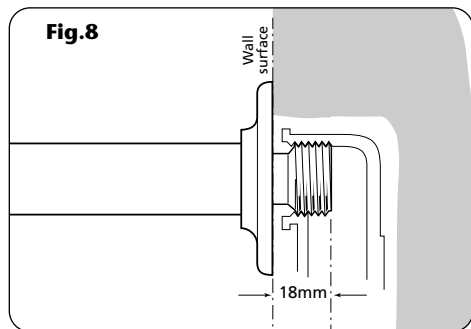
Decide on the shower position and determine whether the hot and cold water supplies will enter the shower from the top (falling) or bottom (rising) or rear.

When installing into a stud partition or other hollow wall structures, the installer will need to consider fabricating rear supports or other options. Such options are beyond the scope of this guide.

The hollow cavity should be at least 65mm deep from the surface of the wall.

Mark the route of the incoming and outgoing pipework.

Take out the plasterboard. Offer the valve body up to the fabrication and mark the two fixing holes. Remove the valve and drill the holes. Route the pipework to the valve position.



Flush out the pipework in accordance with Water Regulations and Byelaws.

Offer the valve up to the pipework and secure with screws through the two fixing brackets on the valve body.

Proceed to 'connecting supply pipes' section.

d) Installation in a panel or cubicle

When installing into a panel or cubicle structure the installer will need to consider fabricating rear supports or other options. Such options are beyond the scope of this guide.

There should be at least 65mm space from the surface of the panel to the rear of the valve body.

Important: Access to the rear of the valve must be available.

Decide on the shower position and determine whether the hot and cold water supplies will enter the shower from the top (falling) or bottom (rising) or rear.

Mark the route of the incoming and outgoing pipework.

Using the face plate as a template, mark the two hole positions for the control knobs. Cut the panel or cubicle as required.

Route the pipework to valve position.

Flush out the pipework in accordance with Water Regulations and Byelaws.

Offer the valve up to the pipework and secure to the fabrication with screws through the two fixing brackets on the valve body.

CONNECTING SUPPLY PIPES

Connect the hot water supply to the inlet marked 'HOT' and connect the cold water supply to the inlet marked 'COLD'.

Complete the outlet pipework from the valve to the fixed head position ending in a 1/2" BSP female threaded fitting (not supplied).

Tighten all compression fittings.

Note the depth of thread on the fixed head unit from the finished wall surface is 10mm (**fig.8**). It is advisable that pipework installed in solid walls be provided with sufficient free play inside. Screw on the fixed showerhead ensuring the

the cavity to enable any slack to be accommodated.

At this point it is advised to fit a blanking plug in the fixed head female fitting prior to leak testing.

Leak testing

Ensure the on/off flow control spindle is in the off position by temporarily fitting the on/off flow lever and turning clockwise until resistance is felt. Open the supplies and test for leaks in all pipework upstream of the valve.

Turn on the on/off flow lever and test for leaks up to the fixed head outlet. Remedy any leaks if necessary. Turn off the water supplies.

Making good

Fit the supplied tiling shroud over the mixer body and make good the wall, tiling etc. up to the fixed head outlet.

Plaster or tile up to the edge of the shroud.

Note that if the tiles are accurately cut to match the profile of the shroud, then the face plate will seal around the hole in the tiles, and the valve unit will be able to be serviced without the need to break any tiles.

Ensure the grout lines are flush with the tiles in order to provide a smooth sealing surface for the face plate.

FITTING THE FIXED HEAD

Screw in place the showerhead arm and mark the position of the three fixing holes (**fig.9**).

Drill and plug the holes using the plugs supplied.

NOTE: If fitting to a hollow wall structure, use suitable cavity wall fittings.

Apply PTFE tape to the 1/2" BSP thread on the shower head arm before fitting.

Secure the showerhead arm to the wall with the three screws supplied (**fig.10**).

Screw the ball swivel and locking ring onto the end of the showerhead arm (**fig.11**) ensuring the 'O' ring is in place.

NOTE: The ball swivel must be screwed on tight in order to provide a water tight connection. The use of an appropriate tool may be used if necessary.

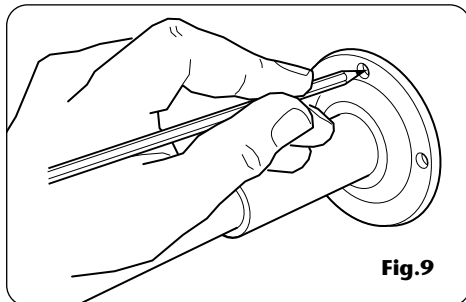


Fig.9

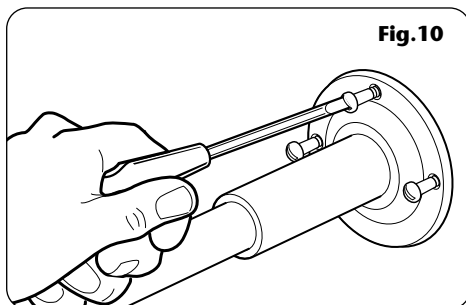


Fig.10

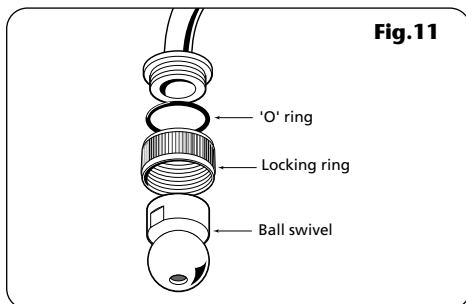
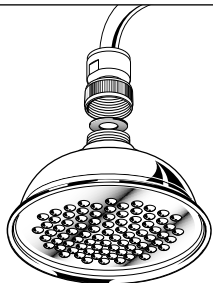


Fig.11

Fig.12



supplied tapered sealing washer is in place as shown in **(fig.12)**. The showerhead must be screwed on tight in order to ensure a water tight connection.

FITTING THE FACE PLATE AND CONTROLS

Insert the rubber face plate seal into the temperature aperture **(fig.13)**. Fit the face plate over the protruding controls and slide tight to the wall. Ensure the rubber seal in the temperature aperture stays in place as it slides over the trim. A smear of liquid soap on the seal will ease this procedure.

The face plate incorporates a silicon sponge backing that seals against a smooth wall.

Temperature control knob assembly

Fit the temperature knob temporarily onto the splined adaptor **(fig.14)**.

DO NOT secure with the screw or fit the finishing cap yet until after the commissioning procedure.

Fig.13



On/off flow lever assembly

Insert the rubber trim seal into the recess on the back of the threaded trim. Screw the threaded trim ring onto the on/off spindle, ensuring the seal stays in place, until it engages into the face plate aperture.

Fit the splined on/off flow lever onto the splined shank **(fig.15)** and secure with the washer and fixing screw.

NOTE: Lever should rotate between 'on' and 'off' indications on the face plate.

Screw the finishing cap marked 'flow' onto the on/off flow lever.

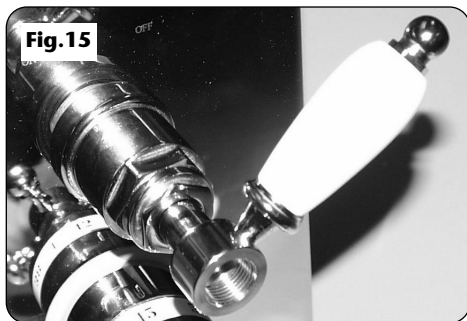
When the controls and faceplate require cleaning, care must be taken not to scratch them in the process. Wash away any surface dust before cleaning with soapy water.

DO NOT USE ABRASIVE CLEANERS AND SOLVENTS OR THE SURFACES MAY BECOME DAMAGED

Fig.14



Fig.15



COMMISSIONING

ENSURE THAT ALL SUPPLY PIPEWORK HAS BEEN FLUSHED THROUGH PRIOR TO COMMISSIONING.

Ensure that both hot and cold water supplies are fully open and at (or near to) their design temperature and pressures and are within the requirements as stated.

Ensure the temperature knob is rotated fully anti-clockwise (maximum temperature setting).

Ensure the showerhead is directed to waste.

Start the water flow by turning the flow control anti-clockwise towards 'on'.

Allow the shower to run at the maximum temperature setting until the water temperature has stabilised. Using the temperature control knob, rotate until your desired maximum showering temperature is reached.

The mixer valve is factory set to provide a maximum outlet temperature of 40°C but this should be checked on site to ensure the setting has not been altered and also to ensure user safety.

When the showering temperature is satisfactory, remove the temperature control knob from the spline and reposition it so the peg inside the control engages against the stop on the temperature control body (**fig.16**).

Secure with the washer and fixing screw. Screw the finishing cap marked 'temp' onto the temperature control knob.

OPERATING THE SHOWER

To start the shower, rotate the on/off flow lever fully to the left for maximum flow.

To stop the water flow, rotate the on/off flow lever fully to the right.

To adjust the water temperature, rotate the temperature control – clockwise for a cooler shower or anti-clockwise for a hotter shower.

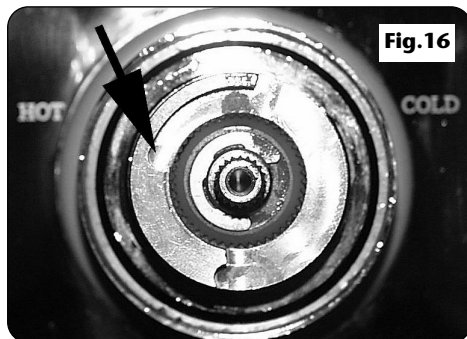
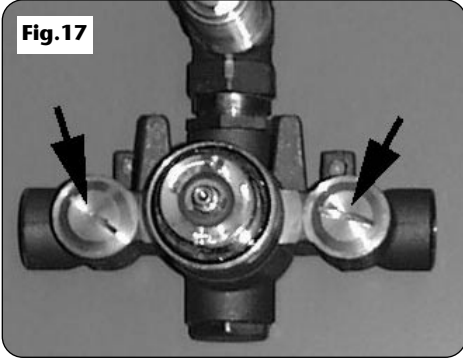


Fig.17



CLEANING THE FILTERS

Turn off the water supplies before proceeding.

To gain access to the filters will require the removal of the ceramic caps, fixing screws and the two controls. Remove the threaded trim ring then pull the face plate away from the wall.

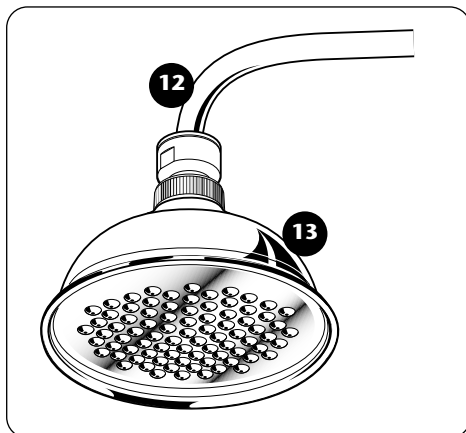
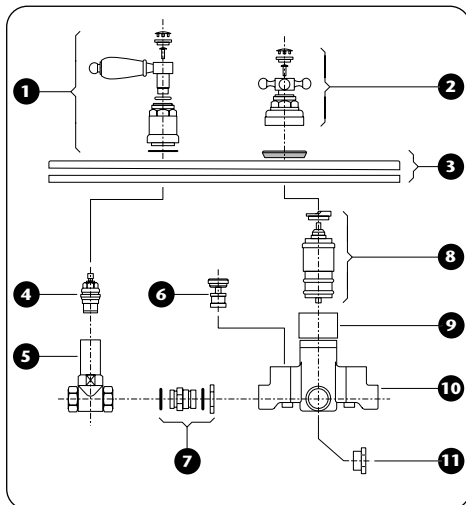
Unscrew the filter cap (**fig.17**) on each inlet and remove the filter. Wash the filter thoroughly under running water to remove all debris.

Replace the filter into the recess on the cap and screw the unit back into each inlet ensuring the 'O' ring is in place.

Reassemble the face plate, controls, screws and caps.

SPARE PARTS

Ref.	Description	Part No.
1	Closure knob	
	Chrome	83307190
	Gold	83307610
2	Regulation knob	
	Chrome	83307200
	Gold	83307620
3	Cover plate	
	Chrome	83307210
	Gold	83307660
4	Ceramic head works	83307220
5	Stop cock	83307230
6	Non-return valve	83307240
7	Connection kit	83307170
8	Thermostatic cartridge	83307250
9	Temperature trim ring	
	Chrome	83307260
	Gold	83307630
10	Thermostatic body	83307270
11	Plug	83307180
12	Spray arm	
	Chrome	22009380
	Gold	22009390
13	Sprayhead	
	Chrome	22009340
	Gold	22009330
-	Flow limiter	22009590



FAULT FINDING

The following can be carried out by a competent person

<i>Problem/Symptom</i>	<i>Cause</i>	<i>Action/Cure</i>
1 Water too hot.	<p>1.1 Temperature control incorrectly commissioned.</p> <p>1.2 Not enough cold water flowing through shower.</p> <p>1.3 Increase in the ambient cold water temperature.</p> <p>1.4 Cold water supply blocked.</p> <p>1.5 High volume of cold water drawn off elsewhere.</p>	<p>1.1.1 Refer to commissioning section.</p> <p>1.2.1 Turn temperature control anti-clockwise.</p> <p>1.3.1 Turn temperature control anti-clockwise.</p> <p>1.4.1 Turn shower off and consult a competent plumber or contact Triton Customer Service.</p> <p>1.5.1 Reduce the simultaneous demand from the supply.</p>
2 Water too cold	<p>2.1 Temperature control incorrectly commissioned.</p> <p>2.2 Not enough hot water flowing through shower.</p> <p>2.3 Decrease in the ambient cold water temperature.</p> <p>2.4 Insufficient hot water supplies from the heating system.</p> <p>2.5 Hot water supply blocked or restricted.</p> <p>2.6 Flow limiter not fitted (HP systems only).</p>	<p>2.1.1 Refer to commissioning section.</p> <p>2.2.1 Turn the temperature control clockwise.</p> <p>2.3.1 Turn the temperature control clockwise.</p> <p>2.4.1 Ensure heating appliance is set to maximum or has sufficient stored hot water.</p> <p>2.4.2 Ensure heating appliance is igniting by trying a hot water tap elsewhere.</p> <p>2.5.1 Turn shower off and consult a competent plumber or contact Triton Customer Service.</p> <p>2.6.1 Fit the supplied flow limiter in the sprayhead (see 'instantaneous gas water heaters').</p>
3 High water flow and/or poor performance on a mains fed system.	<p>3.1 Flow limiter not fitted.</p>	<p>3.1.1 Fit the supplied limiter in the showerhead (see 'high pressure systems').</p>
4 Water does not flow or shower pattern collapses when another outlet is turned on.	<p>4.1 Water supplies cut off.</p> <p>4.2 Shower unit blocked.</p> <p>4.3 Blockage in pipework.</p> <p>4.4 Sprayhead blocked.</p> <p>4.5 System not capable of supplying multiple outlets at the same time.</p>	<p>4.1.1 Check water elsewhere in house and if necessary contact local water company.</p> <p>4.2.1 Inspect the inlet filters. Clean if necessary.</p> <p>4.3.1 Turn the shower off and consult a suitably competent plumber.</p> <p>4.4.1 Clean sprayhead.</p> <p>4.5.1 Reduce the simultaneous demand.</p> <p>4.5.2 Ensure stop/service valves are fully open.</p> <p>4.5.3 Check if sufficient water pressure.</p>

FAULT FINDING**The following is recommended for a professional qualified installer only**

<i>Problem/Symptom</i>	<i>Cause</i>	<i>Action/Cure</i>
5 Water too cold	5.1 Running pressure in excess of maximum recommended.	5.1.1 Fit a pressure reducing valve.
6 Shower controls noisy whilst in use.	6.1 Running pressure in excess of maximum recommended.	6.1.1 Fit a pressure reducing valve
7 Shower will not shut off	7.1 Pipework not flushed before connecting the unit (seals damaged).	7.1.1 Renew flow control seals.

TRITON STANDARD GUARANTEE

Triton Plc guarantee this product against all mechanical defects arising from faulty workmanship or materials for a period of five years for domestic use only, from the date of purchase, provided that it has been installed by a competent person in full accordance with the installation and operating instructions.

Any part found to be defective during this guarantee period we undertake to repair or replace at our option without charge so long as it has been properly maintained and operated in accordance with the operating instructions, and has not been subject to misuse or damage.

This product must not be taken apart, modified or repaired except by a person authorised by Triton Plc. This guarantee applies only to products installed within the United Kingdom and does not apply to products used commercially.

This guarantee does not affect your statutory rights.

What is not covered:

1 Breakdown due to: *a)* use other than domestic use by you or your resident family; *b)* wilful act or

neglect; *c)* any malfunction resulting from the incorrect use or quality of gas or water or incorrect setting of controls; *d)* faulty installation.

2 Repair costs for damage caused by foreign objects or substances.

3 Total loss of the product due to non-availability of parts.

4 Compensation for loss of use of the product or consequential loss of any kind.

5 Call out charges where no fault has been found with the unit.

6 The cost of repair or replacement of sprayheads, hoses, riser rails and/or wall brackets, or any other accessories installed at the same time.

7 The cost of routine maintenance, adjustments, overhaul modifications or loss or damage arising therefrom, including the cost of repairing damage, breakdown, malfunction caused by corrosion, furring, pipe scaling, lime scale, system debris or frost.

Service Policy

In the event of a complaint occurring, the following procedure should be followed:

1 Telephone Customer Service on (024) 7637 2222 (08457 626591 in Scotland and in Northern Ireland), having available the model number and power rating of the product, together with the date of purchase.

2 Triton Customer Service will be able to confirm whether the fault can be rectified by either the provision of a replacement part or a site visit from a qualified Triton service engineer.

3 If a service call is required it will be booked and the date of call confirmed. In order to expedite your request, please have your postcode available when booking a service call.

4 It is essential that you or an appointed representative (who must be a person of 18 years of age or more) is present during the service engineer's visit and receipt of purchase is shown.

5 A charge will be made in the event of an aborted service call by you but not by us, or where a call under the terms of guarantee has been booked and the failure is not product related (i.e. scaling and furring, incorrect water pressure, installation faults).

6 If the product is no longer covered by the guarantee, a charge will be made for the site visit and for any parts supplied.

7 Service charges are based on the account being settled when work is complete, the engineer will then request payment for the invoice. If this is not made to the service engineer or settled within 10 working days, an administration charge will be added.

Replacement Parts Policy

Availability: It is the policy of Triton to maintain availability of parts for the current range of products for supply after the guarantee has expired. Stocks of spare parts will be maintained for the duration of the product's manufacture and for a period of five years thereafter.

In the event of a spare part not being available a substitute part will be supplied.

Payment: The following payment methods can be used to obtain spare parts:

1 By post, pre-payment of pro forma invoice by cheque or money order.

2 By telephone, quoting credit card (MasterCard or Visa) details.

3 By website order, www.tritonshowers.co.uk

Triton Plc, Shepperton Park, Caldwell Road,
Nuneaton, Warwickshire. CV11 4NR

Customer Service

☎ (024) 7637 2222

Scottish and Northern Ireland Customer Service

☎ 08457 626591

Trade Installer Hotline

☎ (024) 7632 5491

Fax: (024) 7632 4564

www.tritonshowers.co.uk

E mail: technical@triton.plc.uk