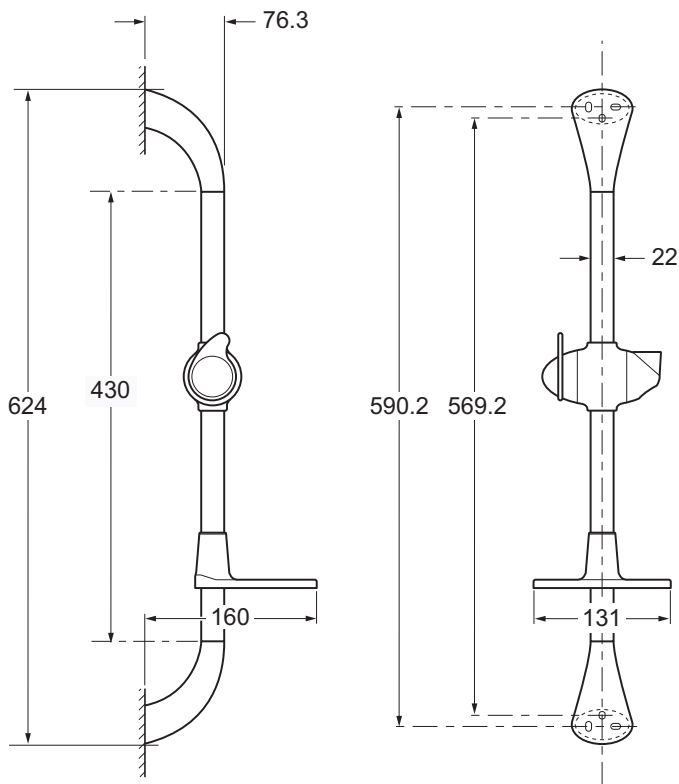


ARCHIE

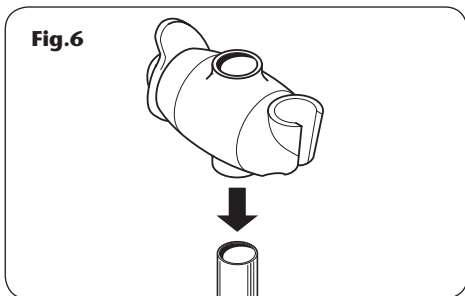
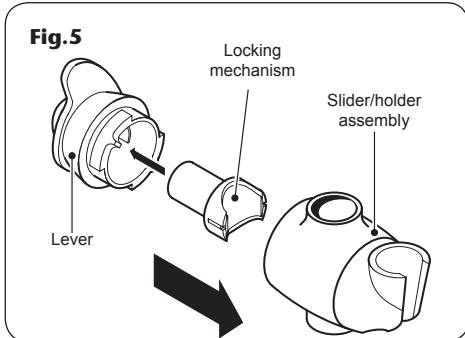
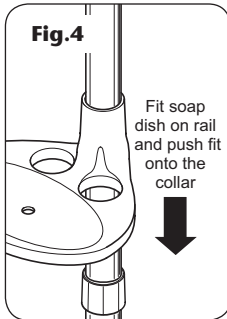
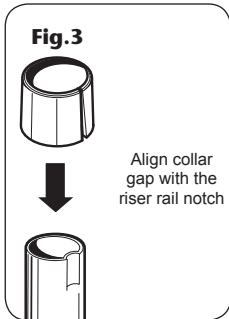
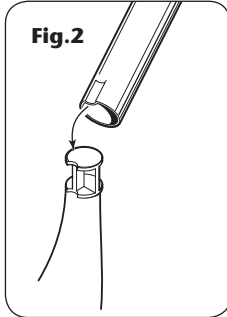
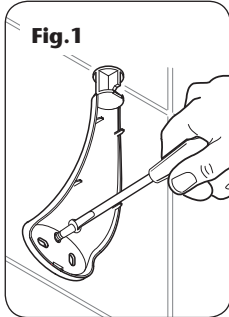
Riser rail assembly



Installation Instructions

INSTALLERS PLEASE NOTE THESE INSTRUCTIONS ARE TO BE LEFT WITH THE USER

FITTING THE ARCHIE RISER RAIL ASSEMBLY



FITTING THE RISER RAIL

WARNING!

Check there are no hidden cables or pipes before drilling holes for wall plugs. Use great care when using power tools near water. The use of a residual current device (RCD) is recommended.

Decide the position for the rail on the wall within the shower area. Proceed as follows:

Offer one of the brackets to the wall for the lower position only.

Note: There are three holes in the brackets but two screws will usually be enough. Mark the centre hole and one of the other two.

Drill and plug the wall. (*The wall plugs provided are suitable for most brick walls – use an appropriate masonry drill, but if the wall is plasterboard or a soft building block, you must use suitable wall plugs and an appropriate drill bit.*)

Replace the bracket to the wall and secure to the wall with the screws supplied (**fig.1**). Locate the rail onto this lower bracket, making sure the rail engages fully on the bracket. Check that the indent in the riser rail engages into the cut-out on the bracket end (**fig.2**).

Locate the second bracket on top of the rail. Check the rail is vertical then mark the centre hole and of the other two holes. Remove the bracket and rail. Drill and plug the wall.

Slide the soap dish collar onto the rail (**fig.3**) and position at the desired soap dish height. The collar is slightly tapered and should be fitted 'thinner section' uppermost.

Fit the soap dish over the rail and push fit onto the collar (**fig.4**). Make sure it locates firmly so the dish is held at the required height on the rail.

Fit the locking mechanism into the recess in the lever then fit the lever to the slider/holder (**fig.5**). The lever should face upwards when assembled.

Note: The showerhead holder will only fit onto the riser rail one way.

FITTING THE ARCHIE RISER RAIL ASSEMBLY (continued)

Slide the showerhead holder assembly onto the riser rail (**fig.6**). Secure to the rail by turning the lever forwards (**fig.7**). When tight, the lever should be facing away from the wall and not pointing up or down. If not, slacken off and remove from the rail. Rotate the lever 180° within the slider/holder assembly then replace onto the rail and tighten.

Place the rail onto the installed lower bracket. Replace the upper bracket onto the rail and secure the bracket to the wall with the screws supplied (**fig.8**).

Place a trim cover onto each bracket. Make sure the large tab at the narrow end of the trim cover fits into the slot between the rail and bracket (**fig.9**) before pushing and clicking the other end into place.

Should the need arise, the trim covers can be removed by inserting a screwdriver into the slot and carefully levering off the trim.

FITTING THE HOSE AND SHOWERHEAD

Feed the flexible hose through the appropriate soap dish opening (**fig.10**) so that the dish acts as a retaining ring (Water Regulations).

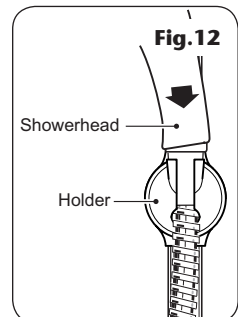
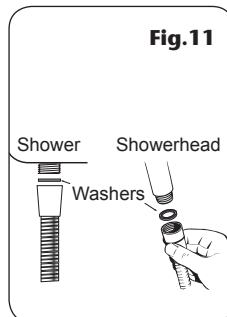
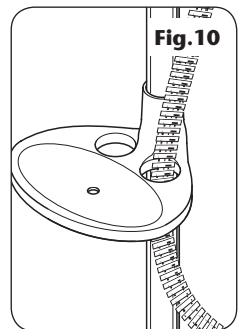
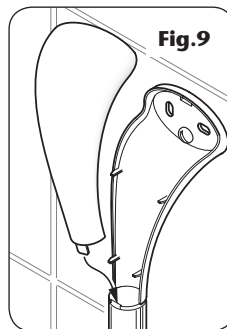
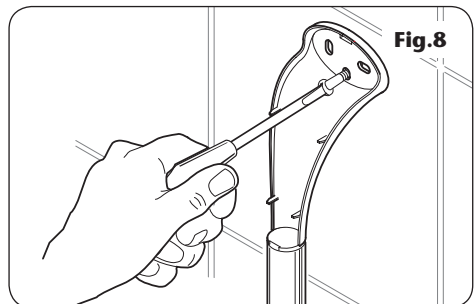
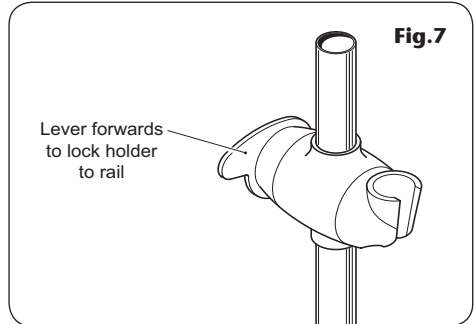
Screw the flexible hose to the shower outlet and showerhead (**fig.11**), making sure the supplied washers are in place at both ends of the flexible hose.

Place the showerhead into the holder (**fig.12**) and check that it fits correctly.

Note: The holder is slightly tapered and the showerhead and hose will only fit from one direction.

IMPORTANT: It is the conical end of the hose which grips into the holder. The showerhead will not fit in the holder without the hose attached.

At this stage, disconnect the showerhead and lay to one side until the shower unit has been commissioned



SPARE PARTS

Ref.	Description	Part Number
	Kit (without riser rail)	
	white	88900010
	chrome	88900011
	gold	88900012
1.	End brackets & trim (pair)	
	white	83310490
	chrome	83310500
	gold	83310510
2.	Bracket trim	
	white	83310550
	chrome	83310560
	gold	83310570
3.	Riser rail	
	430mm anodised	7042409
	430mm white	7042411
	430mm chrome plated	7042412
	430mm gold plated	7042413
	940mm	7042935
4.	Showerhead holder	
	white	83310610
	chrome	83310620
	gold	83310630
5.	Soap dish	
	white	83310640
	clear	83310650

Flexible hoses available in the following sizes:

- 1.00 m in white, chrome and gold
- 1.25 m in white, chrome and gold
- 1.75 m in chrome only

