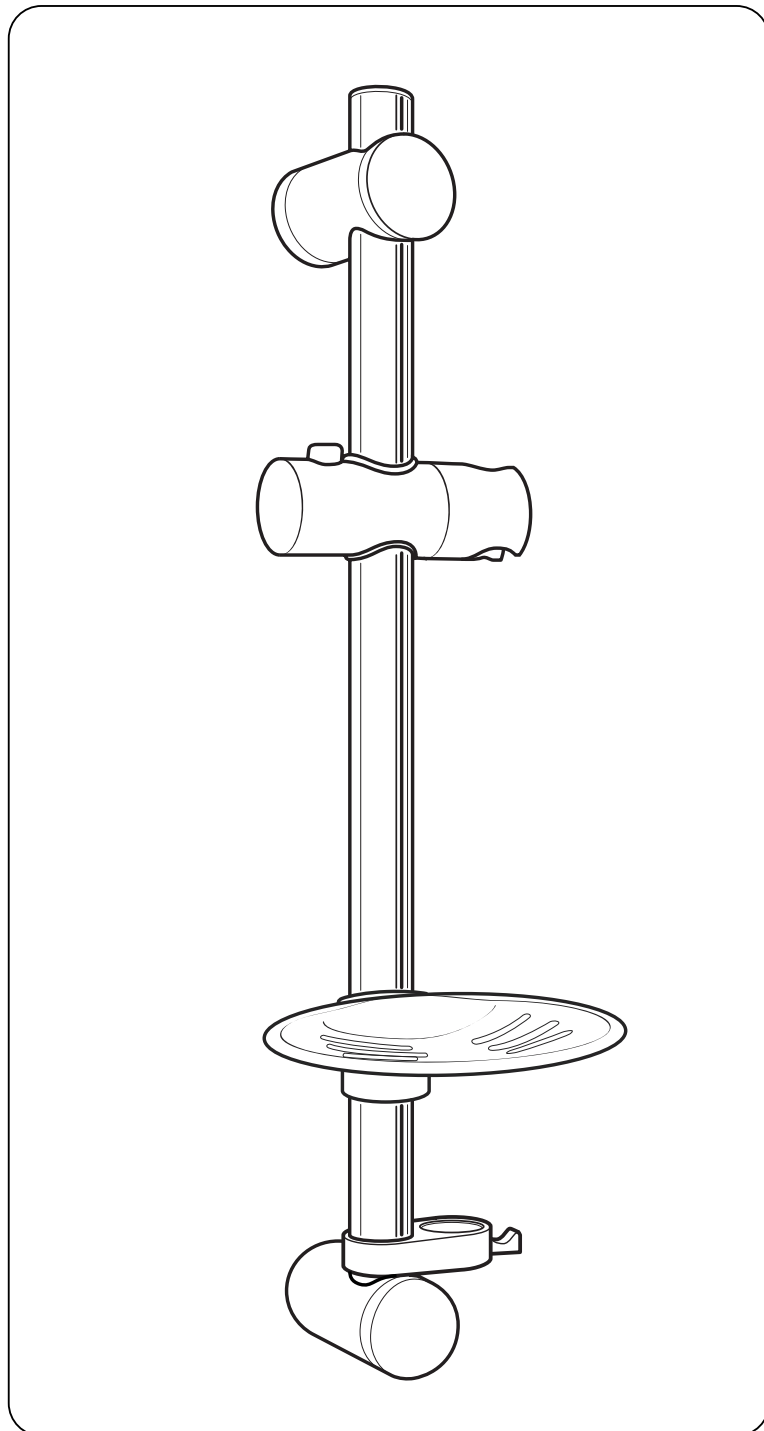


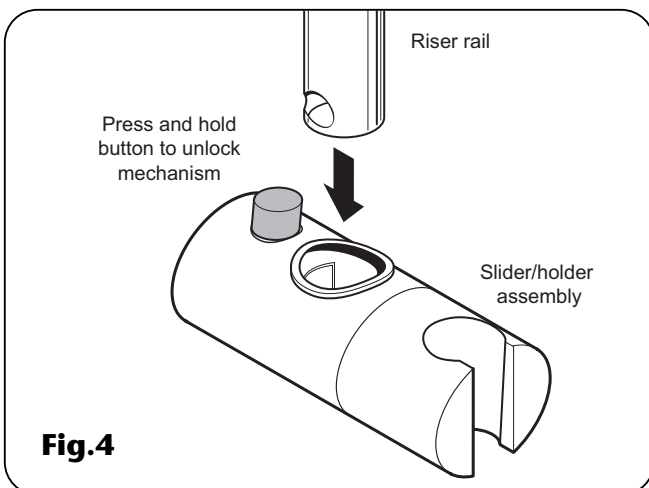
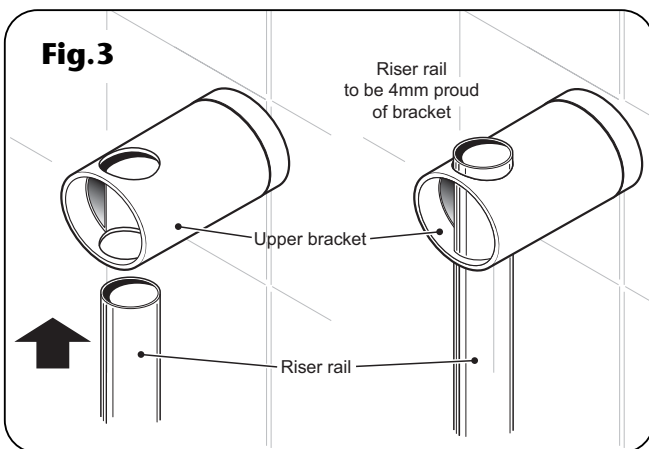
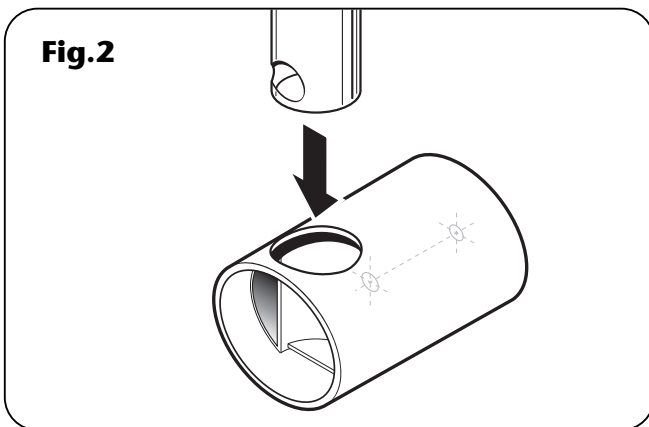
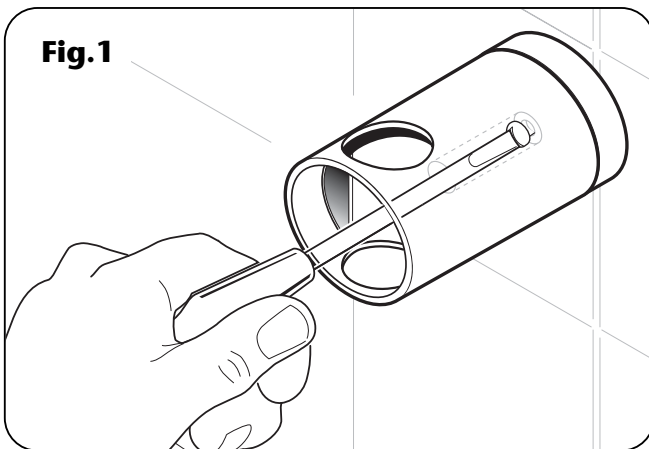
***Kit 4170
Adam riser
rail assembly***

**Installation
Instructions**



Installers please note these instructions are to be left with the user

FITTING THE ADAM RISER RAIL ASSEMBLY



WARNING!

Check there are no hidden cables or pipes before drilling holes for wall plugs. Use great care when using power tools near water. The use of a residual current device (RCD) is recommended.

Decide the position for the rail on the wall within the shower area. Proceed as follows:

Offer the upper bracket to the wall. Position the bracket and mark the centre hole. Remove the bracket then drill and plug the wall. (*The wallplugs provided are suitable for most brick walls – use an appropriate masonry drill, but if the wall is plasterboard or a soft building block, use special wallplugs and a suitable drill bit.*)

Fit the spacer onto the bracket. Replace the bracket and spacer to the wall and secure in place using the screw supplied (**Fig.1**).

Slide the riser rail into the recess in the lower bracket (**fig.2**). Note that the hole in the bottom of the riser rail should align with the opening in the lower bracket. With both parts to hand, slide the riser rail through the opening in the upper bracket (**fig.3**). The riser rail should be about 4mm proud of the upper bracket. Make sure the rail is vertical then mark the centre hole for the lower bracket. Remove the rail and lower bracket. Drill and plug the wall.

Fit the sprayhead holder onto the riser rail. Press the button on the top of the holder to release the locking mechanism, then slide the holder onto the rail (**fig.4**). To secure the holder in place, simply release the button.

Slide the soapdish and hose retainer onto the bottom of the riser rail, below the holder (**fig.5**).

Refit the lower bracket to the riser rail. Take the riser rail/lower bracket assembly and again slide it through the upper bracket. Secure in place using the screw supplied. Note that the screw should pass through the hole in the base of the riser rail (**fig.6**) to stop it from turning within the bracket.

FITTING THE ADAM RISER RAIL ASSEMBLY (CONTINUED)

Fit the end caps onto both brackets. The end caps will only fit one way. Fit the riser rail trim to the top of the rail.

FITTING THE HOSE AND SPRAYHEAD

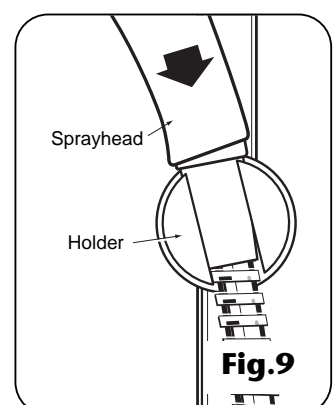
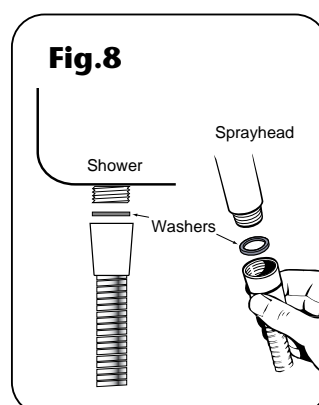
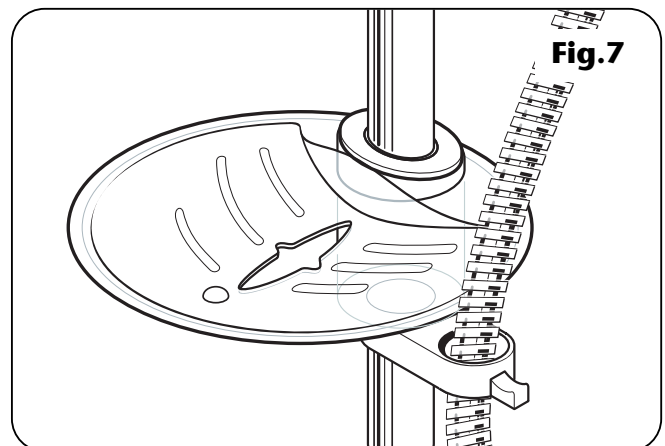
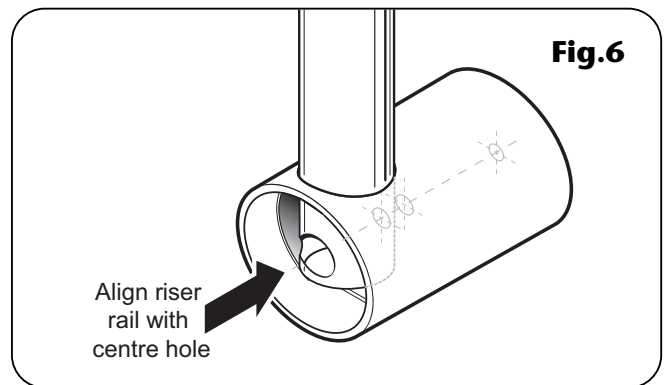
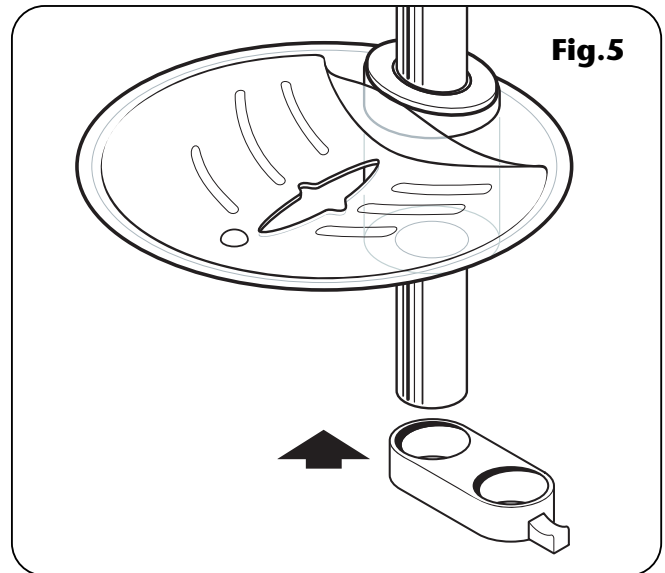
Feed the flexible hose through the ring retainer opening (**fig.7**) so the dish acts as a retaining ring (Water Regulations).

Screw the flexible hose to the shower outlet and sprayhead, making sure the supplied washers are in place at both ends of the flexible hose (**fig.8**).

Place the sprayhead into the holder and check that it fits correctly (**fig.9**).

Note: The holder is slightly tapered and the sprayhead and hose will only fit from one direction.

IMPORTANT: It is the conical end of the hose which grips into the holder. The sprayhead will not fit in the holder without the hose attached.



SPARE PARTS

Ref. Description	Part number
– Kit (without riser rail)	88900001
A Brackets & trims (pair)	83308390
B Trim (single)	83308400
C Riser rail – 25mm chrome	88800001
D Sprayhead holder	83308410
E Soap dish	83308420
F Hose retainer	83308430
– 1.25m flexi hose – chrome	28100000
– 1.75m flex- hose – chrome	28100010

