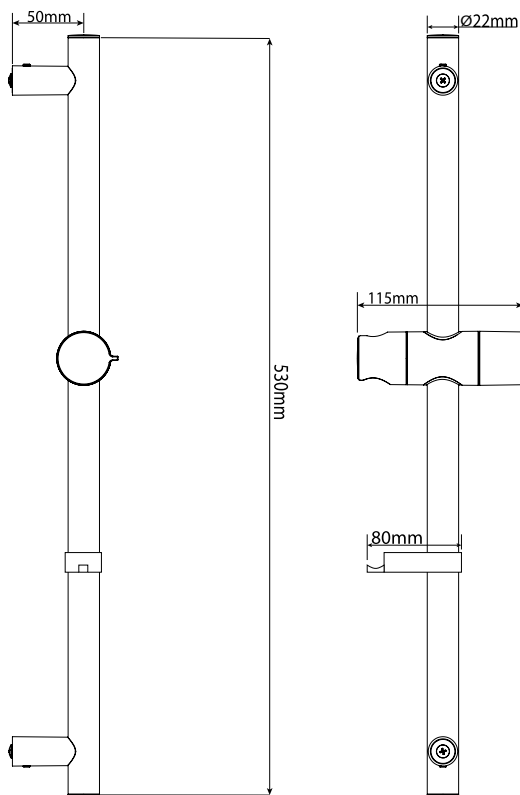


# KIAN

## Riser Rail Assembly

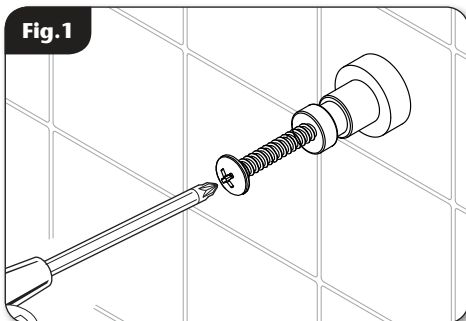


\*All dimensions listed regarding the product and installation are approximate.  
**Please read the fitting instructions before proceeding.**

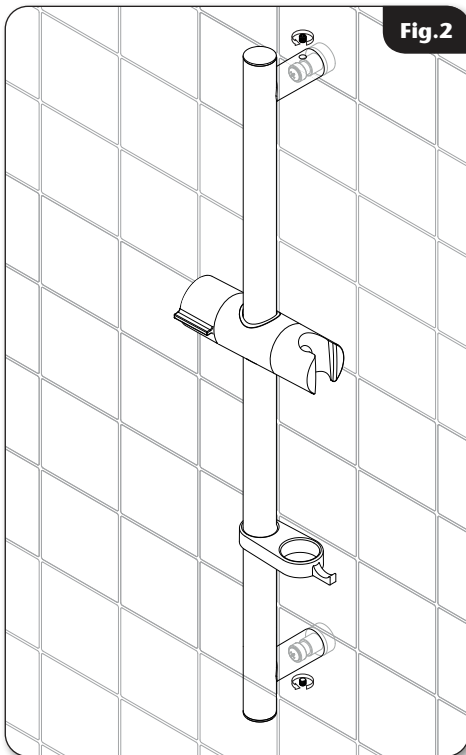
## Installation Instructions

TRITON ALWAYS RECOMMEND THE USE OF GENUINE TRITON ACCESSORIES FOR USE WITH A TRITON SHOWER. FAILURE TO USE GENUINE TRITON PARTS MAY INVALIDATE YOUR GUARANTEE.

INSTALLERS PLEASE NOTE THESE INSTRUCTIONS ARE TO BE LEFT WITH THE USER.



**WARNING!**  
Check there are no hidden cables or pipes before drilling holes for wall plugs. Use great care when using power tools near water. The use of a residual current device (RCD) is recommended when using power tools.



### Installing the Kit

Decide on the position for the riser rail kit within the shower area and proceed as follows.

Using the fitting template provided, mark the position for the top and bottom brackets, remove and drill and plug the wall. An appropriate drill bit should be used. If the wall is brick, plasterboard or a soft building block, appropriate wall plugs and screws should be fitted.

Screw both wall fixings into place (**fig. 1**).

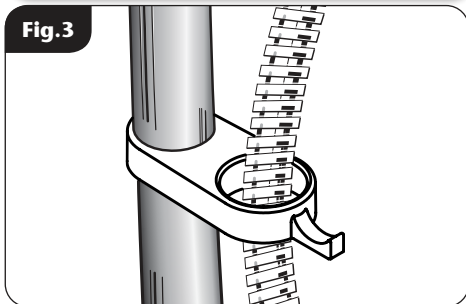
Fit the riser rail kit onto the wall brackets and tighten the grub screws to secure (**fig. 2**).

### Fitting the Hose and Showerhead\*

Feed the flexible hose through the opening in the hose retainer (**fig. 3**). The hose retainer **MUST** be used to comply with Water Regulations.

Screw the flexible hose to the shower outlet and showerhead, making sure the supplied washers are in place at both ends of the flexible hose (**fig. 4**).

Place the showerhead into the holder and check that it fits correctly (**fig. 5**).



**NOTE:** The holder is slightly tapered and the showerhead and hose will only fit from one direction.

**IMPORTANT:** It is the conical end of the hose which grips into the holder. The showerhead will not fit in the holder without the hose attached.

## Replacing a Part

If your kit becomes damaged or a part needs replacing you will first need to remove the rail from the wall by undoing both grub screws (**fig.2**).

To access the internal bracket, remove the trims from the ends of the rail and lie flat.

Unscrewing the brackets (**fig 6**) releases the internal brackets (**fig 7**).

At this stage the showerhead holder and hose retain can be removed, serviced and/or replaced, these simply slide onto the rail.

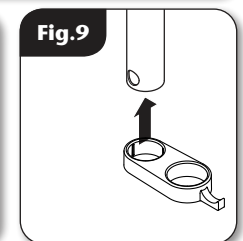
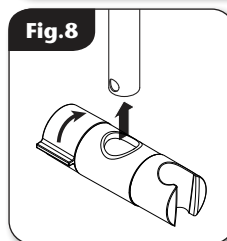
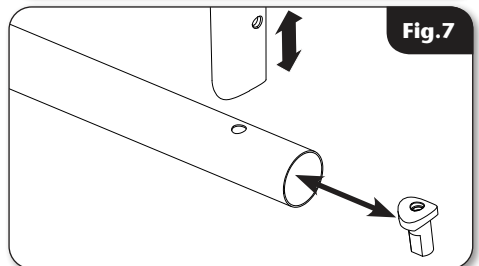
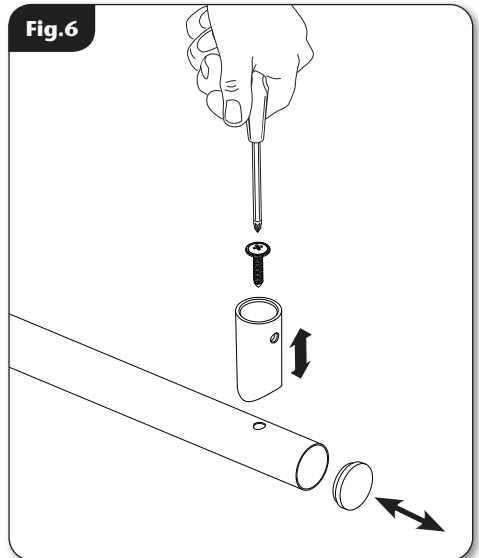
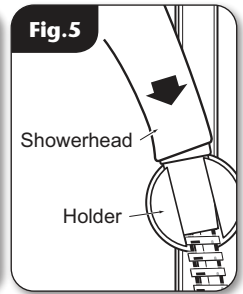
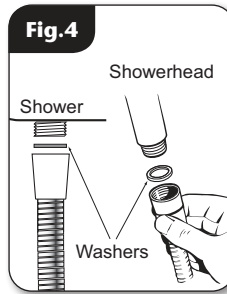
## Slider Operation

The slider position can be adjusted by rotating the slider mechanism to lock/unlock the slider (**fig.8**).

To fit the hose retainer simply slide it onto the rail (**fig.9**).

To re-assemble your kit, align the internal bracket fixing with the hole in the rail and screw the wall fixing back into place (**fig.6**).

Once the bracket is secure put the trim back onto the end of the rail and then remount the rail on the wall brackets (**fig.2**).



## REPLACEMENT PARTS

<b>Description</b>	<b>Part Code</b>
KIAN KIT CHROME.....	TSKKIANCH
KIAN KIT CHROME BLACK.....	TSKKIANCHBLK
SHOWERHEAD HOLDER CHROME.....	22013400
SHOWERHEAD HOLDER BLACK.....	22013920
HOSE RETAINER CLEAR.....	22013450

FLEXIBLE HOSES OF VARIOUS LENGTHS AND COLOURS ARE AVAILABLE. PLEASE SEE THE TRITON WEBSITE FOR DETAILS

Triton Showers  
Triton Road  
Nuneaton  
Warwickshire CV11 4NR

Triton is a division of Norcross Group (Holdings) Limited

**Customer Experience: 024 7637 2222**  
**Trade Installer Hotline: 024 7637 8344**  
**[www.tritonshowers.co.uk](http://www.tritonshowers.co.uk)**  
**E-mail: [serviceenquiries@tritonshowers.co.uk](mailto:serviceenquiries@tritonshowers.co.uk)**  
**[technical@tritonshowers.co.uk](mailto:technical@tritonshowers.co.uk)**

**For product guarantee information please go to [www.tritonshowers.co.uk/help-and-support](http://www.tritonshowers.co.uk/help-and-support)**

TRITON reserve the right to change product specification without prior notice. E&OE. © TRITON SHOWERS 2020