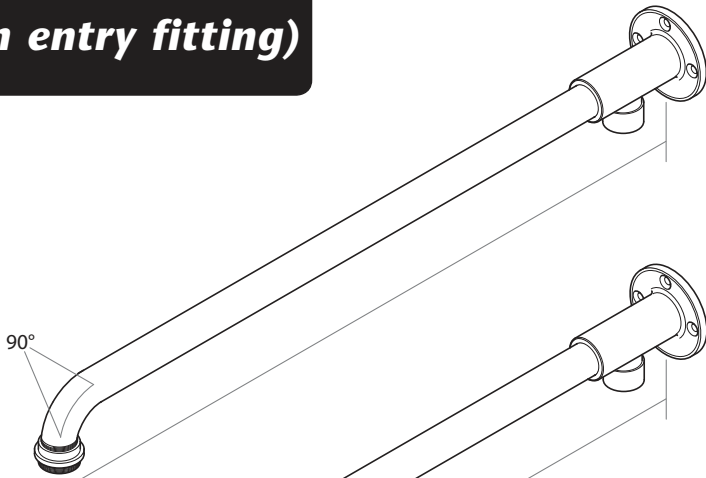
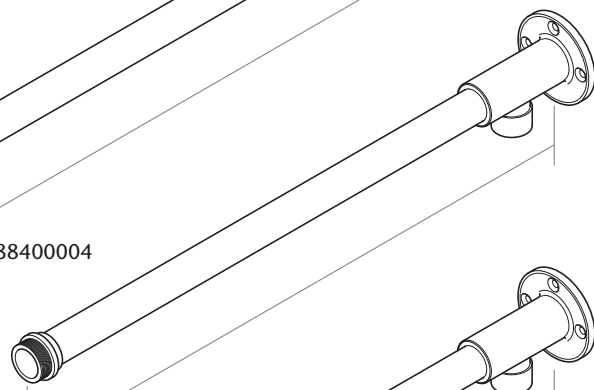


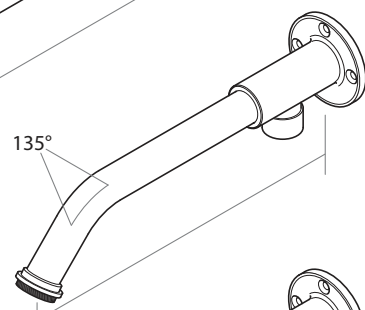
Shower arm (bottom entry fitting)



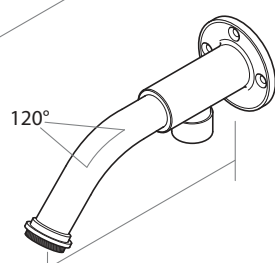
400mm No: 88400004



320mm No: 88400009



No: 88400010 150mm



90mm No: 88400018

INSTALLERS PLEASE NOTE THESE INSTRUCTIONS ARE TO BE LEFT WITH THE USER

SHOWER ARM (bottom entry fitting) Material: Brass construction

INSTALLATION

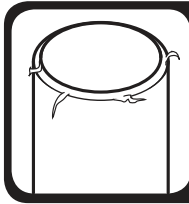
Note: Before installation, it is advised that the mounting surface is made good to give a solid fixing point for the shower arm. It is not advised to fix the arm through plasterboard alone.

Offer the *shower arm up to the wall and mark the three fixing holes, make certain that the shower arm is aligned vertically above the mixer shower (**fig.1**). Remove the shower arm and drill the fixing holes.

WARNING!

Check there are no hidden cables or pipes before drilling holes for wall plugs. Use great care when using power tools near water. The use of a residual current device (RCD) is recommended.

Push fit the shower arm on to the riser pipe (taking care not to damage the O-ring) and using appropriate wall plugs and screws secure to the wall (**fig.2**).



NOTE:

Make sure the end of the pipework is clean and remove any sharp burrs, failure to do so may cause damage to the O ring.

**Only shower arm supplied. Other items are for illustration purposes only.*

