

THE NEW

# CT BATHROOM

THE PUMP DESIGNED FOR BATHROOMS

3\*  
YEAR  
WARRANTY



**Salamander Pumps**   
Quality | Technology | Service | Value

Making  
**water**  
perform

# CT BATHROOM

## THE PUMP DESIGNED FOR BATHROOMS

The new **CT Bathroom** range, with increased pressure performance and additional features, has been specifically engineered to meet the increased demands for water supply within your en-suite, bathroom or utility room. With their advanced design features, this new range of single and twin ended pumps will quietly and efficiently boost the hot or cold water supplies to showers, baths, basins, toilets and household appliances, are suitable across a wide range of shower types and heads, single and mixer taps and will refill your toilet cistern in double quick time.

### WHATS NEW?

With **CROSSOVER** technology inside allowing for individual outlet operation, a universal option for negative head installations, reduced noise emanations from the efficiently designed waterway and impellor, providing pressure up to 2.6 bar, and compact dimensions, **CT Bathroom** is the pump of choice for all bathroom applications.

### THE RANGE:

CT60 Bathroom  
Twin  
Bar Rating: 1.8



CT60 Bathroom  
Universal Twin  
Bar Rating: 1.8



CT80 Bathroom  
Twin  
Bar Rating: 2.6



CT80 Bathroom  
Universal Twin  
Bar Rating: 2.6



CT90 Bathroom  
Universal Single  
Bar Rating: 2.6



### TECH<sup>2</sup>LOGY INSIDE



SOLID STATE SWITCHING



MOTOR PUMP INTEGRATION



NOISE / VIBRATION REDUCTION



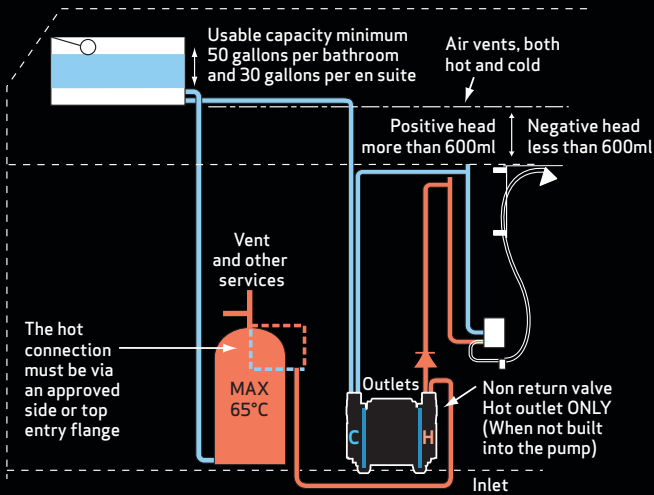
CROSSOVER



- ✓ 3 year warranty\*
- ✓ More pressure & flow
- ✓ More compact in size
- ✓ Impressively quiet
- ✓ Easy to install
- ✓ Crossover technology
- ✓ Continuously rated



# TYPICAL INSTALLATIONS

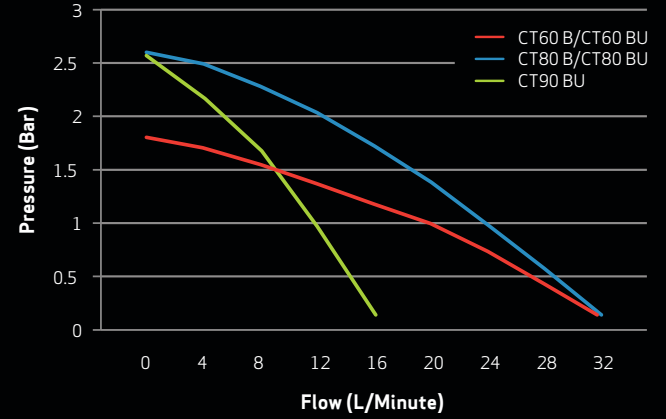


Specifically designed for installation into 'Gravity' systems, the enhanced performance of the **CT Bathroom** range will ensure all outlets within your bathroom perform to their maximum.

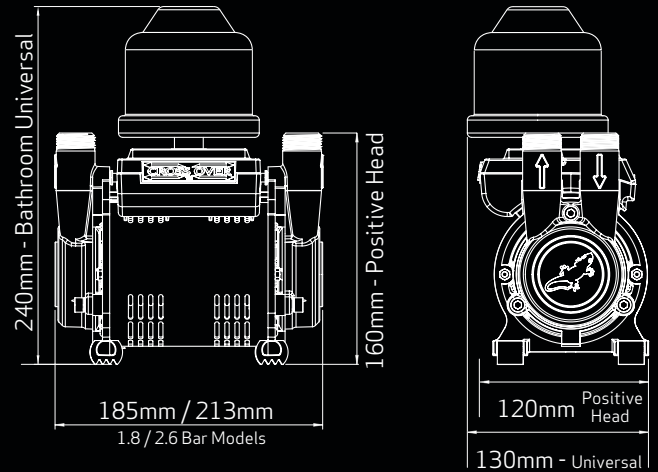
First decide your performance requirement, be it a 1.8 bar or 2.6 bar pump. You must then identify whether the outlet (shower, bath or tap, toilet etc.) you wish to power is in 'negative' or 'positive' head. An outlet is in 'positive head' where it and any pipework feeding it is a minimum of 600mm below the cold water storage tank; as such, any of the **CT Bathroom** range can be installed. Conversely, where the outlet or any pipework feeding it is less than 600mm below the cold water storage tank, then the outlet is in negative head, requiring the use of one of Salamander's high-quality **CT Bathroom** universal pumps.

\*the CT Bathroom range comes with a 2 year warranty. This can be extended free of charge to a 3 year warranty by calling our PumpWise team following installation of the pump.

# TYPICAL FLOW CURVES



# PUMP DIMENSIONS



For further installation guides please visit [www.salamanderpumps.co.uk/downloads](http://www.salamanderpumps.co.uk/downloads)

or scan the QR code on the right using a smartphone and QR code reader app.



THE NEW CT BATHROOM RANGE	Performance		Application			Specification				Configuration	Connection Size / Type				List Price £ (ex Vat)			
	Bar Rating Closed Head	Bar Rating @ 8 Ltr/min	Whole Bathroom	Positive Head	Universal	Individual Taps/Outlets	Motor		Impeller		Seal	Pump		Isolators				
							Continuously Rated	Composite	Brass			Carbon	Pushfit	Diameter		Inlet	Outlet	
																		Configuration
CT 60 Bathroom	1.8	1.5	•	•	•	•	•	•	•	•	Twin	G3/4 (m)	15mm	•	•	£210.00		
CT 60 Bathroom Universal	1.8	1.5	•	•	•	•	•	•	•	•	Twin			•	•	£465.00		
CT 80 Bathroom	2.6	2.4	•	•	•	•	•	•	•	•	Twin			22mm	15mm	•	•	£255.00
CT 80 Bathroom Universal	2.6	2.4	•	•	•	•	•	•	•	•	Twin					•	•	£570.00
CT 90 Bathroom Universal	2.6	2.4	•	•	•	•	•	•	•	•	Single					•	•	£360.00



# Salamander Pumps

Quality | Technology | Service | Value



Salamander Pumps are manufactured in the UK from top quality components, the majority of which are sourced from the EU.

Each component is extensively tested for long life and every pump is subject to strict quality controls before it leaves our factory in Sunderland.

Salamander Pumps have developed a highly professional and responsive service support team for its customers. Whether that support is for pre-installation advice or advice on which pump best fits the customer's needs, or to address any post-installation issues that may occur, our friendly and helpful staff are on hand via Pumpwise.

**Pumpwise**  
**0191 516 2002**

\*standard 2 year warranty provided, extendable to 3 year warranty by calling Pumpwise

All Salamander Pumps come with comprehensive installation guidelines to support a trouble-free installation.

When installed in accordance with those guidelines, we are confident that you will enjoy trouble-free ownership of your Salamander pump for many years to come.



## **Salamander Pumped Shower Systems Limited**

Unit 2c Colima Avenue, Enterprise Park West,  
Sunderland, SR5 3XE

**Telephone:** 0191 516 2002  
**Facsimile:** 0191 548 4445  
**Email:** sales@salamanderpumps.co.uk

**[www.salamanderpumps.co.uk](http://www.salamanderpumps.co.uk)**

