

Salamander Pumps 

Gravity Booster


RANGE



A range of gravity fed pumps to boost water pressure,
improving the water performance to the shower,
bathroom or whole house.

Smarter Water Performance





GravityBooster Range Explained

Whether you need to power just one shower or your whole house, there is a pump in our GravityBooster range to help.

Over recent years our gravity-fed range of pumps have been re-engineered and re-designed, using cutting edge technologies to make the GravityBooster range some of the quietest, most compact and reliable pumps on the market.

For further product information, training and product selector software visit
www.salamanderpumps.co.uk

Contents

GRAVITY-FED SYSTEMS	4
SHOWER PUMPS EXPLAINED	5
TECHNOLOGY INSIDE	6
CT RANGE EXPLAINED	8
CT FORCE	10
CT BATHROOM	14
CT XTRA	18
ORA, RIGHT PUMPS AND EVE EXPLAINED	22
RIGHT PUMP RANGE	24
EVE	28
TECHNICAL	30

Gravity-Fed Systems

A gravity fed system is identified by a cold-water storage tank, usually stored in a loft, and a hot water cylinder. These systems rely on gravity to force water around the system, with the height of the cold-water storage tank determining the pressure throughout the system.

POSITIVE AND NEGATIVE HEAD

A gravity-fed system is either positive or negative head, this indicates if the height of the cold-water storage tank is sufficient enough to create a natural flow of water.

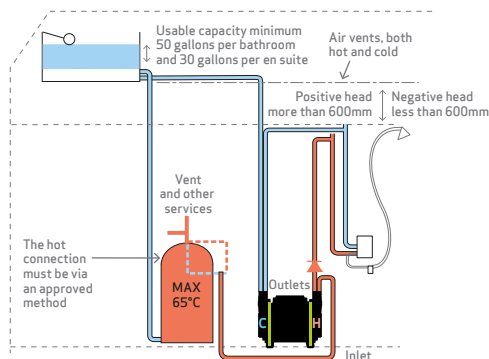
A system is **positive head** if there is more than 600mm between the base of the cold-water storage tank and the highest point in the system after the pump. A positive head pump is only suitable for use in a positive head system.

A system is **negative head** if there is 600mm or less

between the base of the cold-water storage tank and the highest point in the system after the pump. You can check if you have a negative head system by timing how long it takes to fill a measuring jug. You have a negative head system if:

1. it takes more than 30 seconds to get 2 litres of water from a mixer tap or shower on a mixed setting (probably the highest one in your home) or
2. it takes more than 30 seconds to get 1 litre of water from either the hot or cold tap, or the shower on fully hot or fully cold

A universal/negative head pump is suitable for use in both positive and negative head installations, so if you're unsure then choose a universal/negative head pump.



Shower Pumps Explained

CONTINUOUS RATING

All Salamander pumps are continuously rated. A pump that is continuously rated, can effectively run for as long as the user chooses, without the need for the pump to shut down, to allow the pump to cool. With a large family in a household this is particularly important, many competitor pumps are not continuously rated, and will automatically shut off for 20 to 45 minutes to allow the pump to cool.

TWIN ENDED

Twin ended pumps will pump **both hot and cold water**, with one end for hot water and the other for cold.

Each end then goes on to supply the outlet, which is most commonly a shower valve.

SINGLE ENDED

Single ended pumps will pump **either hot or cold water**.

WARRANTIES

CT Xtra, CT Bathroom, Right Pumps and EVE come with a 3 year warranty. The CT Force range comes with a 5 year warranty.

The standard warranty period of the CT Xtra, CT Bathroom and Right Pump ranges can be extended by a further 2 years at an additional charge. Contact Salamander Pumps on 0191 5162002 for further information.



Technology Inside

We continually strive to improve our pumps and have introduced some clever technology to do this.



CROSSOVER™

An innovatively designed bypass tube that diverts water from the end of the pump that isn't pumping water. Typically this happens when the user switches off one tap when filling a bath or basin. Crossover™ stops the overheating/expansion of the side of the pump that isn't seeing water.



SOLID STATE SWITCHING™

An electronic switch which activates the pump. The switch has no moving parts, so this improves reliability, sensitivity, and extends product life.



DYNAMIC RESPONSE SYSTEM™ (DRS)

DRS is the pumps ability to react to a variation in pressure or flow. E.g. if the flow increases then the DRS will send a message to the motor to slow down, meaning that the pump maintains a consistent water output.



INTERROGAI™

Technology within the pump that monitors usage e.g. how many times it has been switched on/off or how long it has been running for. It aids in the diagnosis of issues.



DYNAMIC PUMP CONTROL™

The intelligent electronics that run the motor at a given speed. This makes the pump more energy efficient, responsive and longer lasting.



NOISE/VIBRATION REDUCTION™

Product design innovation has been used to reduce the noise and vibrations in a shower pump, including noise reducing feet and specially selected materials which dampen the vibration of the motor.



BRUSHLESS MOTORS™

These motors allow for variable speed control, intelligently using the correct amount of electricity required to drive the pump. They have NO contacting parts which make them less likely to wear out and this combined with tighter tolerances also reduces friction and noise.



ADVANCED MOTOR DRIVE™

Used with brushless motors, this technology controls the spinning and speed of the motor using feedback from other parts of the pump. This allows for an instant reaction, seamless performance and energy efficiency.



MOTOR PUMP INTEGRATION™

The innovative product design building the motor into the pump impeller housing to allow for an extremely compact product. The design also means that the cold waterway helps cool the motor, thereby improving efficiency and product life.

CT Range Explained

Our CT range are regenerative pumps. Water is taken into the pump's inlet where a robust impeller circulates the water around the pump chamber at speed, creating higher pressure. A stripping block then physically strips the water from the impeller, directing it out of the pump to the outlet.



CT Force

Built with robust brass ends and brass impellers this range of pumps has been engineered to be some of the quietest brass pumps on the market. Efficient water way design coupled with motor pump integration (see technology inside for details) makes this range compact, powerful and robust.



CT Bathroom

With their advanced design features, the CT Bathroom range will efficiently boost the hot and/or cold water supplies to showers, baths, basins and toilets. These pumps are suitable for a wide range of shower types and heads, single mixer taps and refilling your toilet cistern in double quick time.



CT Xtra

CT Xtra is our hard working, affordable pump and is also our best-selling pump range. Robust, compact and quiet these pumps are the ideal way to boost the water pressure to a single shower. These positive head pumps are available single-ended for boosting just the hot or just the cold and twin-ended for boosting both hot and cold via a thermostatic mixer valve.



CT FORCE (UNIVERSAL)



Universal (negative head) brass regenerative pumps, ideal for delivering a real boost to low water pressure systems.



Twin ended only



Efficient water way design, solid brass impellers and brass ends make this range of pumps powerful and robust. Crossover™ technology, which is in all of the CT Force twin ended pumps, means they can be used for multiple or single outlet use.

Innovative engineering of the product has led to the range being awarded the Quiet Mark, and independent testing has shown the CT Force 15PT/TU to be the quietest twin ended brass pump on the market.*

Quiet. Powerful. Patented technology.

Pump	Application	Bar	dBA
CT Force 15TU	Twin end, universal shower and house pump	1.5	48
CT Force 20TU	Twin end, universal shower and house pump	2.0	54
CT Force 30TU	Twin end, universal shower and house pump	3.0	52.5
CT Force 20SU	Single end, universal shower and house pump	2.0	49
CT Force 30SU	Single end, universal shower and house pump	3.0	42

*Independently tested, contact us for details.



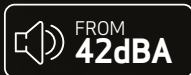
CT FORCE (POSITIVE HEAD)



Robust, brass regenerative pumps for boosting pressure to single outlets, bathrooms or the whole house.



Twin ended only



Quiet, compact and robust, this range of brass pumps can deliver a boost to hot and/or cold supplies to thermostatic or manual mixer valves, supplying a wide range of shower types, shower heads, individual taps, cisterns and other appliances, and whole house boosting applications.

The CT Force range is patent protected, and has received the Quiet Mark for being some of the quietest brass shower pumps on the market.*

Quiet. Powerful. Patented technology.

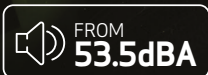
Pump	Application	Bar	dBA
CT Force 15PT	Twin end, positive head shower and house pump	1.5	48
CT Force 20PT	Twin end, positive head shower and house pump	2.0	54
CT Force 30PT	Twin end, positive head shower and house pump	3.0	52.5
CT Force 20PS	Single end, positive head shower and house pump	2.0	49
CT Force 30PS	Single end, positive head shower and house pump	3.0	42

*Independently tested, contact us for details.



CT BATHROOM (UNIVERSAL)

Specifically designed to meet the increased demands for water supply within your en-suite, bathroom or utility room.



CT BATHROOM



The CT Bathroom Universal range has been specifically designed to deliver the pressure and performance needed to boost water supplies to a bathroom, en-suite or utility room. Innovative and patent protected, this range of pumps is also compact and powerful.

Suitable across a wide range of shower types and heads, single and mixer taps, these pumps will also refill your toilet cistern in double quick time.

Quiet. Powerful. Patented technology.

Pump	Application	Bar	dBA
CT60BU	Twin end, universal bathroom pump	1.8	53.5
CT80BU	Twin end, universal bathroom pump	2.6	57.5

CT BATHROOM (POSITIVE HEAD)

The pump designed
for bathrooms.



CT BATHROOM



With their advanced design features the CT Bathroom positive head range of pumps will efficiently boost the hot and/or cold water supplies to shower, baths, basins and toilets.

CT Bathroom is the pump of choice for all bathroom applications.

Quiet. Powerful. Patented technology.

Pump	Application	Bar	dBA
CT60B	Twin end, positive head bathroom pump	1.8	53.5
CT80B	Twin end, positive head bathroom pump	2.6	57.5

CT XTRA (POSITIVE HEAD)

The hard working,
affordable pump.



FROM
44.5dBA



CT Xtra is Salamander's biggest selling range of shower pumps and probably the biggest selling range of shower pumps in the UK.

Compact in size, quiet in operation and containing patented technology this pump provides excellent value for money.

Awarded the Quiet Mark, this range of positive head, regenerative pumps are some of the quietest plastic, regenerative pumps on the market.*

Quiet. Powerful. Patented technology.

Pump	Application	Bar	dBA
CT50/50+ Xtra	Twin end, positive head shower pump	1.5	52.5
CT75/75+ Xtra	Twin end, positive shower pump	2.0	53.5
CT55/55+ Xtra	Single end, positive head pump	1.5	44.5
CT85/85+ Xtra	Single end, positive head pump	2.2	52

*Independently tested, contact us for details.

CT XTRA		CT BATHROOM				CT FORCE			
SINGLE	TWIN	TWIN		SINGLE		SINGLE		TWIN	
CT55	CT75	CT60B	CT80BU	CT20PS	CT30PS	CT15PT	CT20PT	CT30PT	CT30TU
CT85	CT50	CT60B	CT80BU	CT20PS	CT30PS	CT15PT	CT20PT	CT30PT	CT30TU
CT85	CT15	CT60B	CT80BU	CT20PS	CT30PS	CT15PT	CT20PT	CT30PT	CT30TU
CT85	CT15	CT60B	CT80BU	CT20PS	CT30PS	CT15PT	CT20PT	CT30PT	CT30TU

PERFORMANCE

Bar Rating/Closed Head	1.5	2.5	1.5	2.0	1.8	2.6	2.6	2.0	3.0	1.5	2.0	1.5	2.0	3.0	3.0
Bar Rating/Closed Head	1.5	2.5	1.5	2.0	1.8	2.6	2.6	2.0	3.0	1.5	2.0	1.5	2.0	3.0	3.0

PUMP

Positive Head	•	•	•	•	•	•	•	•	•	•	•	•	•	•	•
Universal/Negative Head	•	•	•	•	•	•	•	•	•	•	•	•	•	•	•

FUNCTION

SHOWER ONLY	•	•	•	•	•	•	•	•	•	•	•	•	•	•	•
WHOLE HOUSE	•	•	•	•	•	•	•	•	•	•	•	•	•	•	•
Individual Taps/Outlets	•	•	•	•	•	•	•	•	•	•	•	•	•	•	•
Combi Boiler								•							
Instant Electric Shower					•			•				•			•
Washing Machine/Dishwasher					•			•				•			•
Conventional Shower		•		•	•			•				•			•
Victorian Can Shower Head					•			•				•			•
MultiFunction Shower					•			•				•			•
Body Jets (4 max)									•						•
Toilets	•	•	•	•	•	•	•	•	•	•	•	•	•	•	•
Washbasins	•	•	•	•	•	•	•	•	•	•	•	•	•	•	•

CONNECTION SIZE / TYPE

HOSE	Pushfit (mm)	15	15	15	15	22	22	22	22	22	22	22	22	22	22
ISOLATORS	Inlet					•	•	•	•	•	•	•	•	•	•
	Outlet					•	•	•	•	•	•	•	•	•	•

WARRANTY

As standard*	3 years	3 years	3 years	3 years	3 years	5 years	5 years	5 years	5 years	5 years	5 years	5 years	5 years	5 years	5 years
--------------	---------	---------	---------	---------	---------	---------	---------	---------	---------	---------	---------	---------	---------	---------	---------

* If supplying a mixer shower/tap with cold mains water, a single ended, negative head pump, that matches the mains pressure as close as possible should be used for the gravity hot water. Please note – some positive, single ended pumps may need to be converted to negative head in certain installations. For advice please call Pumpwise on 0191 516 2002.

ORA, Right Pumps and EVE Explained

ORA, Right Pumps and EVE are centrifugal pumps.

Water enters a centrifugal pump from the centre of the end of the pump, and fills the impeller up with water. The impeller spins and throws the water outwards, using centrifugal force, this creates a higher pressure in the overall chamber and forces water out the top of the pump.

Because the water is being spun from the impeller rather than being stripped (as it is in regenerative pumps) centrifugal pumps have a different noise and tend to be quieter than regenerative pumps.



ORA

ORA is a shower pump by Salamander Pumps, it will boost the water pressure to showers in a gravity-fed, positive head system



Right Pumps

The Right Pump range provides a powerful boost to water performance. Incorporating centrifugal technology to makes Right Pumps some of the quietest and most flow efficient pumps in our range.



EVE

EVE, the only pump you'll ever need. It has adjustable pressure settings (can be set to 1.5 bar, 2.0 bar or 3.0 bar), can be used in either a positive or negative head installation and because it has a variable speed motor it won't lose pressure even when multiple outlets are open, in the 1.5 and 2.0 bar settings, up to 40 lpm.



ORA (POSITIVE HEAD)



RIGHT PUMP RANGE



ORA is a shower only pump, it boosts water pressure in gravity fed, positive head systems.

Quiet. Powerful. Patented technology.

Pump	Application	Bar
ORA 1.5	Twin ended, positive head shower pump	1.5
ORA 2.0	Twin ended, positive head shower pump	2.0



RIGHT PUMP RANGE (UNIVERSAL)



Twin ended only



FROM **45.5dBa**

RIGHT PUMP RANGE



These premium pumps will boost water performance in a positive or negative head gravity-fed system. Using centrifugal technology, they are very quiet and are more flow efficient than regenerative pumps.

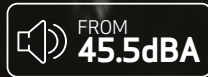
Quiet. Powerful. Patented technology.

Pump	Application	Bar	dBa
RP50TU	Twin ended, universal bathroom pump	1.5	45.5
RP75TU	Twin ended, universal bathroom pump	2.0	50.2
RP100TU	Twin ended, universal house pump	3.0	55.5
RP55SU	Single ended universal bathroom pump	1.5	49.5
RP80SU	Single ended universal bathroom pump	2.4	52.0
RP120SU	Single ended universal house pump	3.6	51.5

RIGHT PUMP RANGE (POSITIVE HEAD)



Twin ended only



RIGHT PUMP RANGE



For homes with a gravity-fed heating system, and in a positive head installation, these pumps offer a powerful solution to low water pressure problems.

Using centrifugal force makes these pumps very quiet. They are also more flow efficient than regenerative pumps. Independent testing has shown the RP50PT to be the quietest twin shower pump on the market, at only 45.5dBA*.

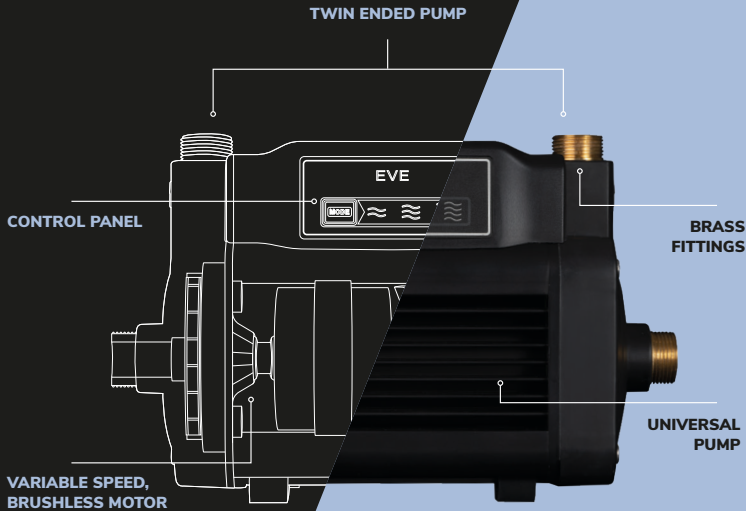
Quiet. Powerful. Patented technology.

Pump	Application	Bar	dBA
RP50PT	Twin ended, positive head bathroom pump	1.5	45.5
RP75PT	Twin ended, positive head bathroom pump	2.0	50.2
RP100PT	Twin ended, positive head house pump	3.0	55.5

*Independently tested, contact Salamander Pumps for more information.

EVE

THE ONLY PUMP YOU'LL EVER NEED.



EVE will boost the hot and cold water performance in any gravity-fed installation. EVE works in both positive and negative head installations without the need for a pressure vessel.

Its brushless, variable speed motor allows the pump to be set to 1.5, 2.0 or 3.0 bar pressure, and means that the pump will maintain pressure even when multiple outlets are open.

The only pump you'll ever need.

Pump	Application	Bar
EVE	Twin ended, universal head house pump	1.5, 2.0 or 3.0



ORA	RIGHT PUMP RANGE						EVE		
	TWIN		SINGLE		TWIN				
ORA 1.5	RP50PT	RP75PT	RP100PT	RP55SU	RP80SU	RP120SU	RP50TU	RP75TU	RP100TU
ORA 2.0	RP50PT	RP75PT	RP100PT	RP55SU	RP80SU	RP120SU	RP50TU	RP75TU	RP100TU

CENTRIFUGAL PUMPS FOR GRAVITY FED INSTALLATION

PERFORMANCE

Bar Rating/Closed Head	1.5	2.0	1.5	2.2	3.0	1.5	2.4	3.6	1.5	2.0	3.0	3.0	ALL
PUMP													
Positive Head	●	●	●	●	●	●	●	●	●	●	●	●	●
Universal/Negative Head													●

FUNCTION

Shower Only	●	●	●	●	●	●	●	●	●	●	●	●	●
Whole House		●	●	●	●	●	●	●	●	●	●	●	●
Individual Taps / Outlets			●	●	●	●	●	●	●	●	●	●	●
Combi Boiler/Unvented Cylinder						●							
Instant Electric Shower						●							●
Washing Machine / Dishwasher						●							●
Conventional Shower			●	●	●	●	●	●	●	●	●	●	●
Victorian Can Shower Head				●	●								●
Multi Function Shower						●							●
Body Jets (4 max)													●
Toilets			●	●	●	●	●	●	●	●	●	●	●
Washbasins			●	●	●	●	●	●	●	●	●	●	●

CONNECTION SIZE / TYPE

HOSE	Pushfit (mm)	15	22	22	22	22	22	22	22	22	22	22	22
ISOLATORS	Inlet	●	●	●	●	●	●	●	●	●	●	●	●
	Outlet			●	●	●	●	●	●	●	●	●	●

WARRANTY

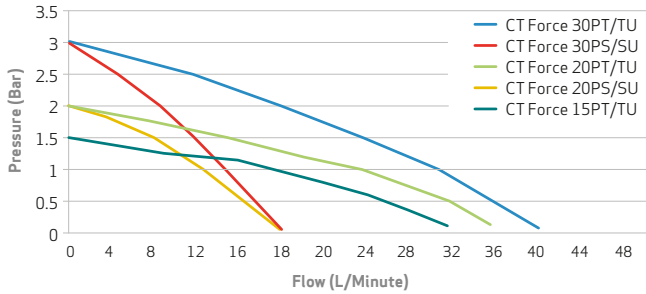
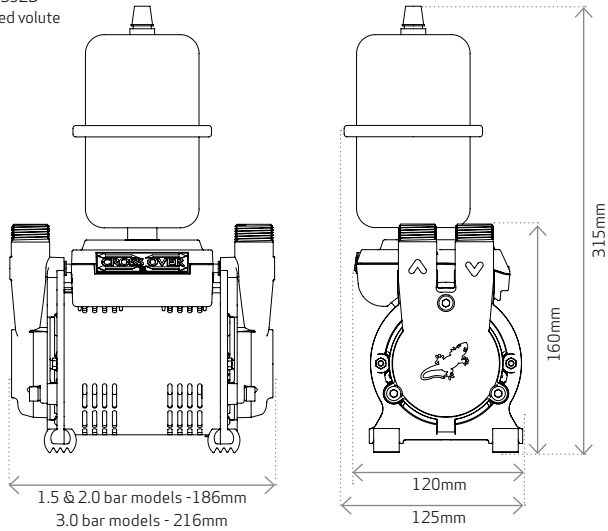
As standard	1 year	3 years	3 years	3 years	3 years	3 years	3 years	3 years	3 years	3 years	3 years	3 years	3 years
-------------	--------	---------	---------	---------	---------	---------	---------	---------	---------	---------	---------	---------	---------

* If supplying a mixer shower/tap with cold mains water, a single ended, negative head pump, that matches the mains pressure as close as possible should be used for the gravity hot water. Please note - some positive, single ended pumps may need to be converted to negative head in certain installations. For advice please call Pumpwise on 0191 516 2002.

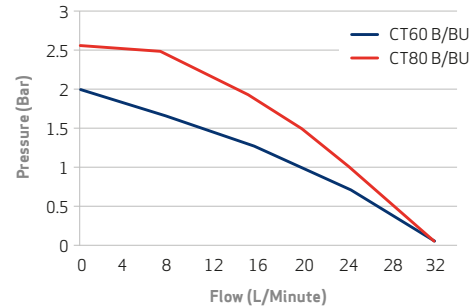
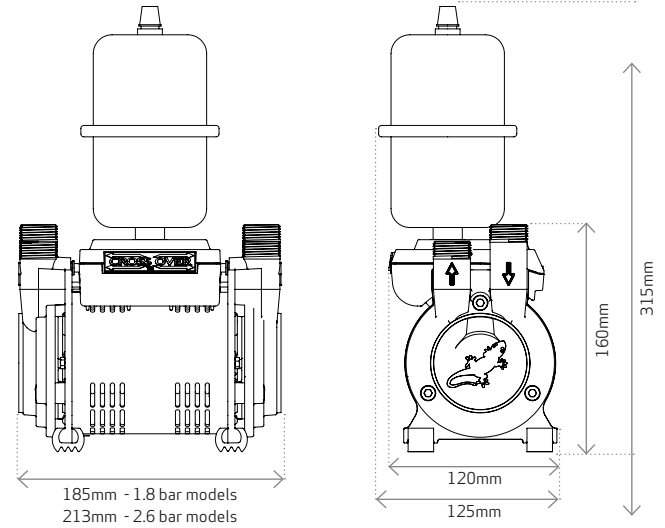


CT FORCE

PATENTS
GB2465392B
Integrated volute

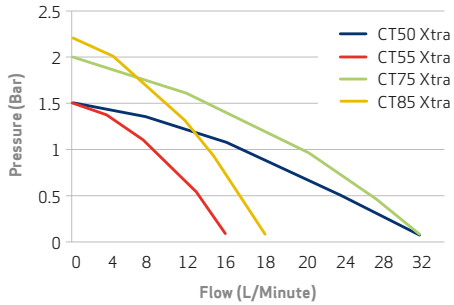
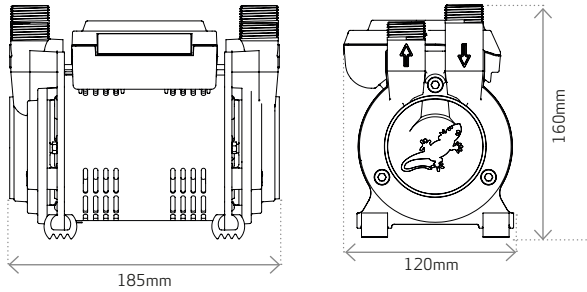


CT BATHROOM

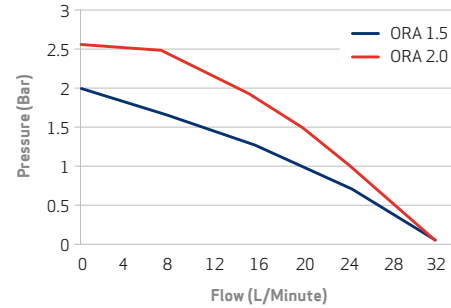
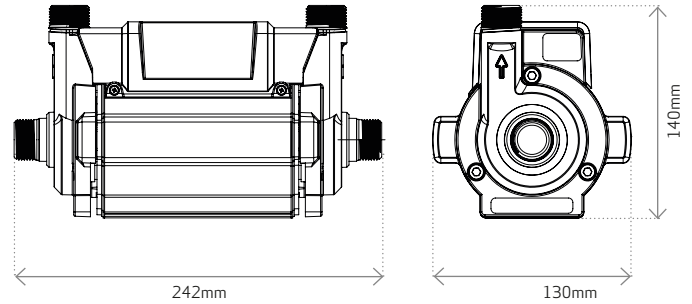


PATENTS
GB2465392B
Integrated volute

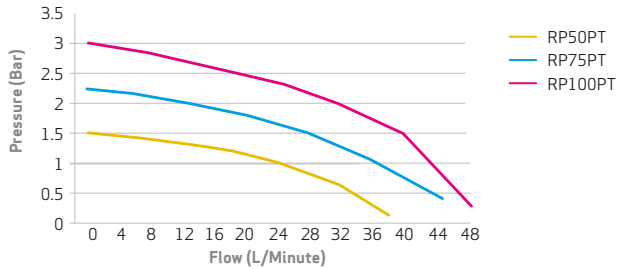
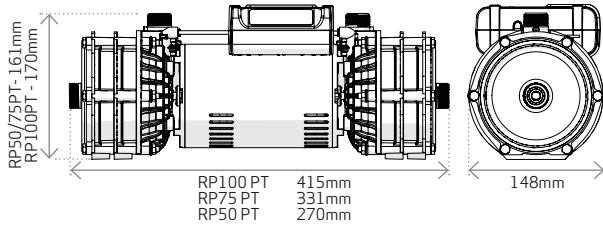
CT XTRA



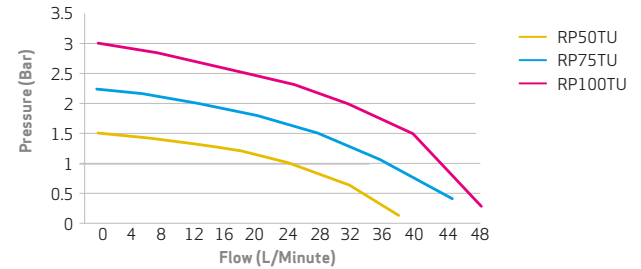
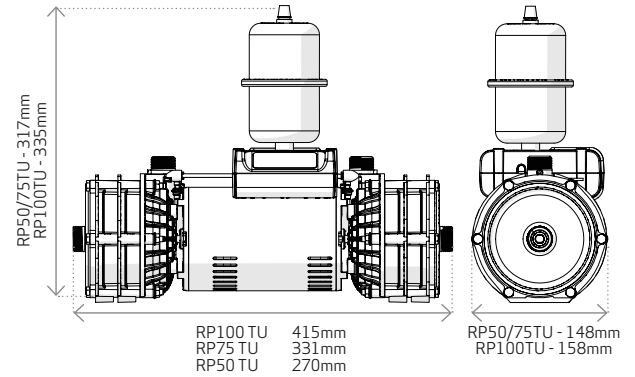
ORA



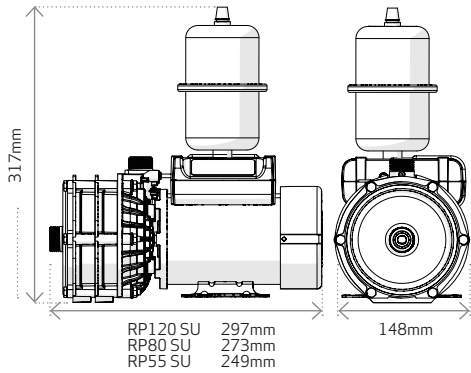
RIGHT PUMP TWIN ENDED (POSITIVE HEAD)



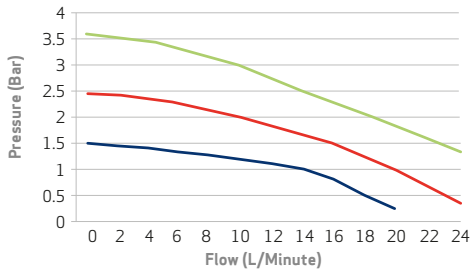
RIGHT PUMP TWIN ENDED (UNIVERSAL)



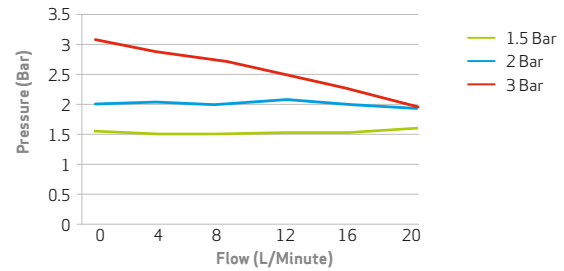
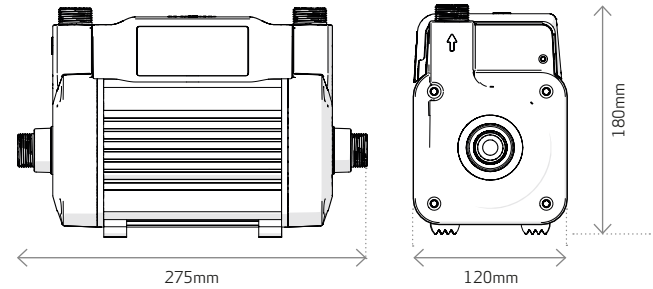
RIGHT PUMP SINGLE ENDED



All Right Pumps have the standard inlet/outlet configuration for ease of replacement.



EVE



CT FORCE

		TWIN			SINGLE	
		CT FORCE 15 PT/TU	CT FORCE 20 PT/TU	CT FORCE 30 PT/TU	CT FORCE 20 PS/SU	CT FORCE 30 PS/SU
FEATURES	Pump type	Regenerative				
	Mechanical seal	Nitrile / Carbon / Ceramic				
	Anti-vibration feet	•	•	•	•	•
	Inlet isolator(s)	•	•	•	•	•
	Flexible hoses	4	4	4	2	2
PERFORMANCE	Pressure @ 16lpm (8lpm for singles)	1.1	1.5	2.2	1.5	2.1
	Pressure @ 8lpm (4lpm for singles)	1.3	1.8	2.6	1.8	2.6
	Pressure @ closed head	1.5	2.0	3.0	2.0	3.0
	Maximum water temperature	65°C				
	Pressure vessel air pre-charge	22 psi	28 psi	32 psi	28 psi	32 psi
CONNECTIONS	Pump connections	3/4" BSP				
	Flexible hoses UK model	3/4"	Female x 22mm Push-Fit x 280mm long, isolating valves on all hoses			
	Flexible hoses ROI model	3/4"	Female x 21mm Push-Fit x 280mm long, isolating valves on all hoses			
MOTOR	Type	A.C Induction Motor				
	Duty rating	Continuously Rated				
ELECTRICAL	Power supply	230 V				
	Current (full load) - amps	1.95	2.24	2.9	1.25	1.9
	Power consumption - watts	457	531	690	304	410
	Fuse rating - amps	3				
	Power cable (pre-wired)	1.5 metres				
PHYSICAL	Enclosure protection (IP rating)	IPX2				
	Weight (excluding hoses)	5.0/5.57 kg	5.01/5.61 kg	6.26/6.83 kg	4.37/5.0 kg	5.65/6.24 kg

CT BATHROOM

		TWIN	
		CT BATHROOM 60B/BU	CT BATHROOM 80B/BU
FEATURES	Pump type	Regenerative	
	Mechanical seal	Nitrile / Carbon / Ceramic	
	Anti-vibration feet	•	•
	Inlet isolator(s)	•	•
	Flexible hoses	4	4
PERFORMANCE	Pressure @ 16lpm (8lpm for singles)	1.3	1.6
	Pressure @ 8lpm (4lpm for singles)	1.7	2.3
	Pressure @ closed head	1.8	2.6
	Maximum water temperature	65°C	
	Pressure vessel air pre-charge	28 psi	
CONNECTIONS	Pump connections	3/4" BSP	
	Flexible hoses UK model	3/4" Female x 15mm Push-Fit isolating valves	3/4" Female x 22mm Push Fit x 280mm long, isolating valves on all hoses
	Flexible hoses ROI model	3/4" Female x 21mm Push-Fit x 280mm long, isolating valves on all hoses	
MOTOR	Type	A.C Induction Motor	
	Duty rating	Continuously Rated	
ELECTRICAL	Power supply	230 V	
	Current (full load) - amps	1.95	2.24
	Power consumption - watts	455	484
	Fuse rating - amps	3	
	Power cable (pre-wired)	1.5 metres	
PHYSICAL	Enclosure protection (IP rating)	IPX2	
	Weight (excluding hoses)	3.98/4.58 kg	5.21/5.81 kg

CT XTRA

		TWIN		SINGLE	
		CT50 XTRA / 50+ XTRA	CT75 XTRA / 75+ XTRA	CT55 XTRA / 55+ XTRA	CT85 XTRA / 85+ XTRA
FEATURES	Pump type	Regenerative			
	Mechanical seal	Nitrile / Carbon / Ceramic			
	Anti-vibration feet	•	•	•	•
	Inlet isolator(s) - only on '+' models	•	•	•	•
	Flexible hoses	4	4	2	2
PERFORMANCE	Pressure @ 16lpm (8lpm for singles)	1.0	1.3	1.1	1.7
	Pressure @ 8lpm (4lpm for singles)	1.3	1.7	1.35	2.0
	Pressure @ closed head	1.5	2.0	1.5	2.2
	Maximum water temperature	65°C			
CONNECTIONS	Pump connections	3/4" BSP			
	Flexible hoses UK model	3/4" Female x 15mm Push-Fit x 195mm long			
	Flexible hoses ROI model	3/4" Female x 21mm Push-Fit x 195mm long			
MOTOR	Type	A.C Induction Motor			
	Duty rating	Continuously Rated			
ELECTRICAL	Power supply	230 V			
	Current (full load) - amps	1.97	2.05	1.26	1.07
	Power consumption - watts	455	484	273	246
	Fuse rating - amps	3			
	Power cable (pre-wired)	1.5 metres			
PHYSICAL	Enclosure protection (IP rating)	IPX2			
	Weight (excluding hoses)	3.88 kg	3.88 kg	3.78 kg	3.78 kg

RIGHT PUMP, ORA & EVE

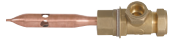
		ORA		EVE		
		TWIN		TWIN		
		ORA 1.5	ORA 2.0	MODE 1 (1.5 BAR)	MODE 2 (2.0 BAR)	MODE 3 (3.0 BAR)
FEATURES	Pump Type	Centrifugal				
	Mechanical Seal	Nitrile / Carbon / Ceramic				
	Inlet Isolator(s)			✓	✓	✓
	Flexible Hoses	4	4	4	4	4
PERFORMANCE	Bar Pressure @ 16lpm	1.0	1.2	1.5	2.0	2.7
	Bar Pressure @ 8lpm	1.4	1.8	1.5	2.0	2.85
	Bar Pressure @ closed head	1.5	2.0	1.5	2.0	3.0
	Maximum Water Temperature	65°C				
	Pressure Vessel Air Pre-Charge	N/A		Digital pressure vessel		
CONNECTIONS	Pump Connections	3/4" BSP				
	Flexible Hoses UK Model	¾ BSP x 15mm stand pipe couplersm 2x angled 2x straight		3/4" Female x 22 mm Push-Fit x 280mm long - isolating valves		
	Flexible Hoses ROI Model	N/A		3/4" Female x 21mm Push-Fit x 280mm long - isolating valves		
MOTOR	Type			Brushless DC motor		
	Duty Rating	Continuously Rated				
ELECTRICAL	Power Supply	230 V				
	Current (full load) - Amps	1.60	1.80	4.11		
	Power Consumption - Watts	414	460	662		
	Fuse Rating - Amps	3	3	5		
	Power Cable (pre-wired)	1.5 metres				
PHYSICAL	Enclosure Protection (IP Rating)	IPX4		IPX2		
	Weight (Excluding Hoses) - kg	2.50	2.50	4.30		

RIGHT PUMP RANGE

SINGLE			TWIN					
RP55SU	RP80SU	RP120 SU	RP50PT	RP75PT	RP100PT	RP50TU	RP75TU	RP100TU
Centrifugal								
Nitrile / Carbon / Ceramic								
✓	✓	✓	✓	✓	✓	✓	✓	✓
2	2	2	4	4	4	4	4	4
1.3	2.1	3.15	1.2	1.9	2.65	1.2	1.9	2.65
1.4	2.3	3.4	1.35	2.1	2.85	1.35	2.1	2.85
1.5	2.4	3.6	1.5	2.2	3.0	1.5	2.2	3.0
65°C								
8psi	14 psi	20psi	N/A			8psi	14 psi	20psi
3/4" BSP								
3/4" Female x 22 mm Push-Fit (15mm on RP50PT) x 280mm long - isolating valves on all hoses								
3/4" Female x 21mm Push-Fit x 280mm long - isolating valves on all hoses								
A.C Induction Motor								
Continuously Rated								
230 V								
1.10	1.75	2.35	1.40	2.70	4.60	1.40	2.70	4.60
245	400	565	325	630	1045	325	630	1045
3	3	3	3	5	5	3	5	5
1.5 metres								
IPX2								
6.36	6.69	7.03	4.82	6.03	9.06	5.56	6.75	9.91

Accessories

S FLANGE



Anti-aeration flange to protect the pump from damage caused by air.

TEMPERATURE PROTECTION BLENDING VALVE (HWS TMV)



Used to protect the pump in situations where there is inadequate hot water temperature protection.

NON RETURN VALVE (NRV)



To prevent back flow of water to the pump. It can be fitted between the pump and the anti-vibration coupler.

ANTI-VIBRATION COUPLERS



Salamander Pumps has a range of replacement anti-vibration couplers. Available in straight and angled, with 15mm and 22mm with plastic or brass nuts. The couplers can be bought individually or as a pack of 4.

MOMENTRY PULL SWITCH (MPS)



A momentary pull switch will allow a positive head pump to be activated in a negative head situation.

PRESSURE VESSEL REPLACEMENT KIT (ACCPV1L)



Suitable for CT Bathroom Universal, CT Force Universal and Right Pump universal range of negative head pumps.

ANTIVIBRATION PUMP FEET (ACCFEET)



4 x PLP feet, 4x CT Xtra/CT Bathroom/CT Force feet, 2 x Right Pump feet

O RING SERVICE KITS (SKORING01, SKORING02)



Eight replacement O rings per pack with gaskets included.

PUMP MAT (ACCPUMPMAT)



Salamander Pumps pump mat made with high density sponge for increased noise reduction. 250mm x 160mm. Thickness: 15mm



Noise

When deciding which shower pump to install, noise can be an important factor to consider.

The innovations that have been introduced across our product range have allowed us to produce some of the quietest pumps in the UK.

Our pumps have been independently tested against our competitor's products and we can now say that we have some of the quietest pumps on the market. The CT Xtra, CT Force and Right Pump ranges have also been awarded the Quiet Mark.



For further product information on noise and individual dBA ratings visit www.salamanderpumps.co.uk

Customer Service Salamander Pumps PumpWise

PumpWise
0191 516 2002

We're here to help before, during and after installation. Support is available via PumpWise where our technically trained staff can help you decide which pump you need, help you with a tricky installation, register your pump for warranty and fix most product issues over the phone.

There's also Live Chat on the website and you can email us if it's out of hours.

BEFORE INSTALLATION

Getting the right product for your needs is critical, which is why we offer technical assistance, guidance and advice to ensure that you select the right product for the job.

DURING INSTALLATION

If your installation isn't straightforward or if you have any queries as to how best to install our products, PumpWise is on hand to give technical support. Just give us a call from your site using the contact details below and we can talk you through the installation.

AFTER INSTALLATION

Warranty registration is available on our website. On the rare occasion that there is a problem after installation, PumpWise can try and resolve your issue over the telephone. If that's not possible, they will arrange for an engineer to visit.

For support contact us via the following.

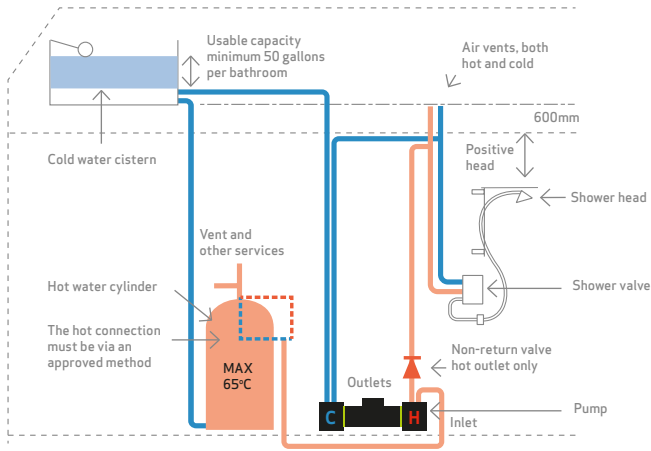


Web: www.salamanderpumps.co.uk

Tel: 0191 516 2002

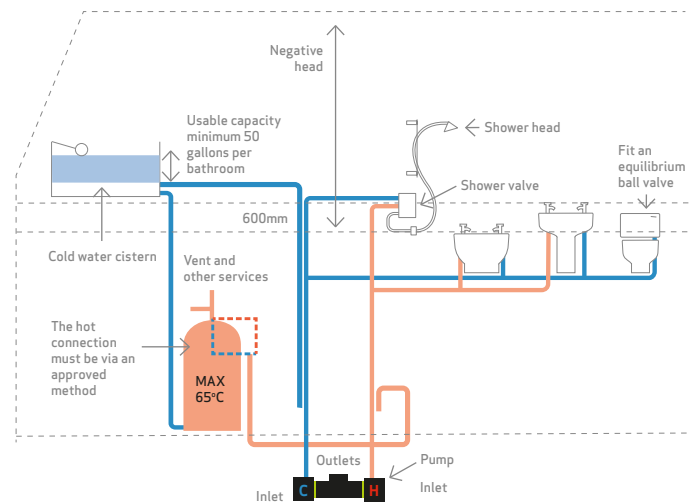
Email: sales@salamanderpumps.co.uk | tech@salamanderpumps.co.uk

Positive Head system



CT or Right pump range twin ended positive head with up and over pipework and natural flow of 1Litre/min per side.

Negative Head (Universal) system



CT pump range twin ended universal to a bathroom in a loft conversion.



Get in touch,
we're here to help
call us on
0191 516 2002

Unit 2c Colima Avenue
Enterprise Park West
Sunderland, SR5 3XE



salamanderpumps.co.uk



MADE IN
BRITAIN



Salamander Pumped Shower System Ltd is part of The Davidson Holdings Group
Printed September 2020.