

GROHE RED

Made in Germany

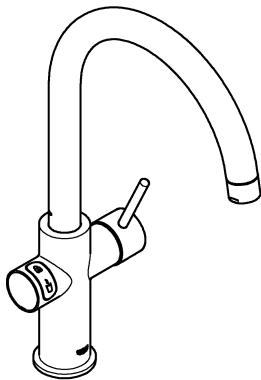
99.0831.031/ÄM 245902/10.20

Pure Freude  
an Wasser

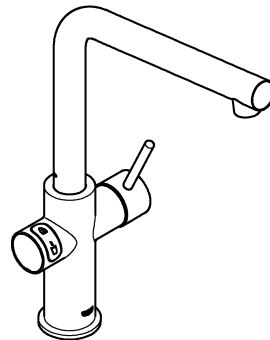
GROHE

www.grohe.com

30 058

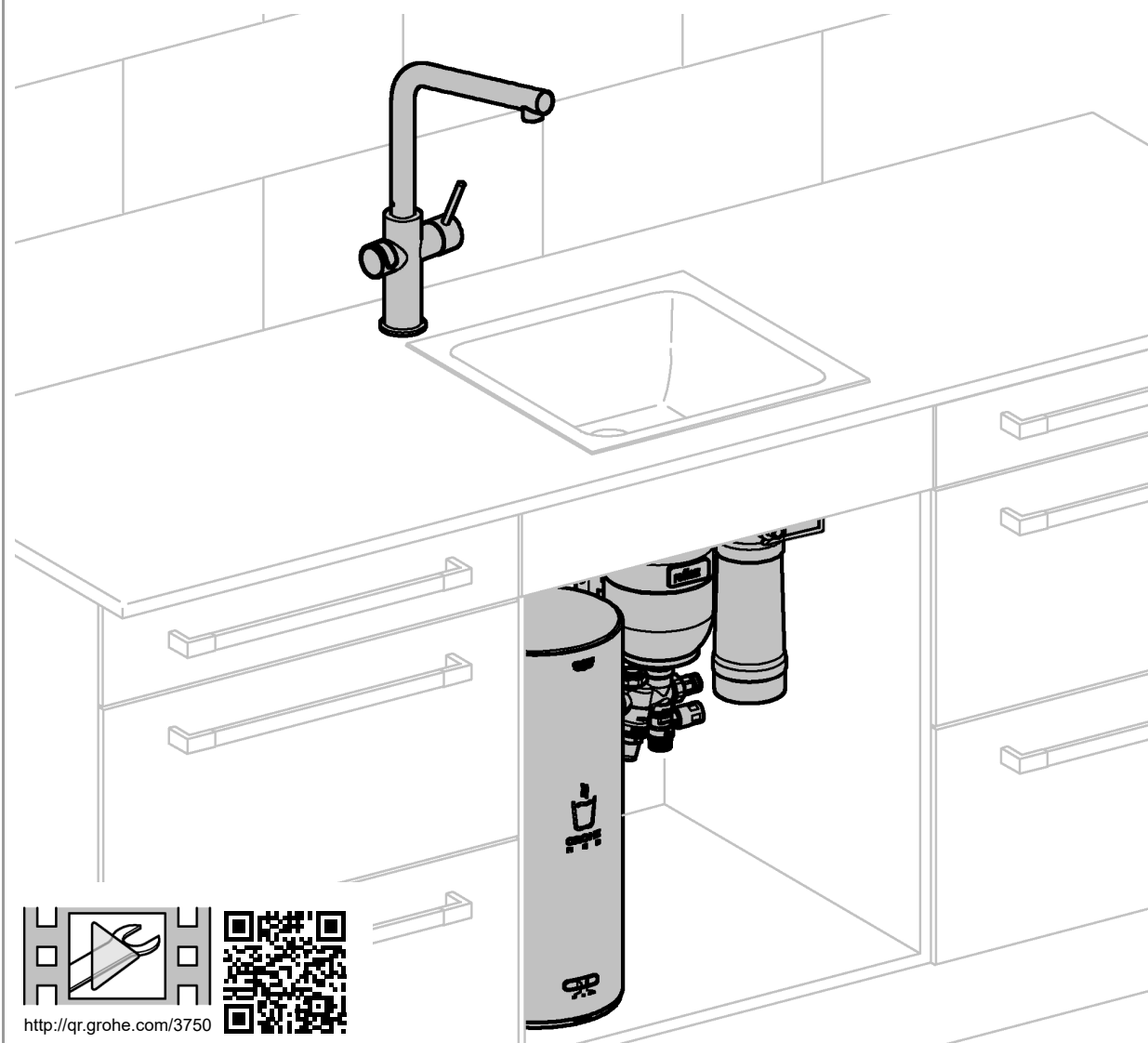


30 340  
30 341



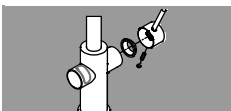
GB

..14



<http://qr.grohe.com/3750>

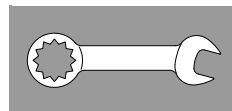
1



2



3 - 8



9 - 10



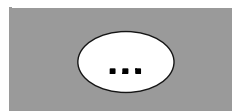
11



12 - 13

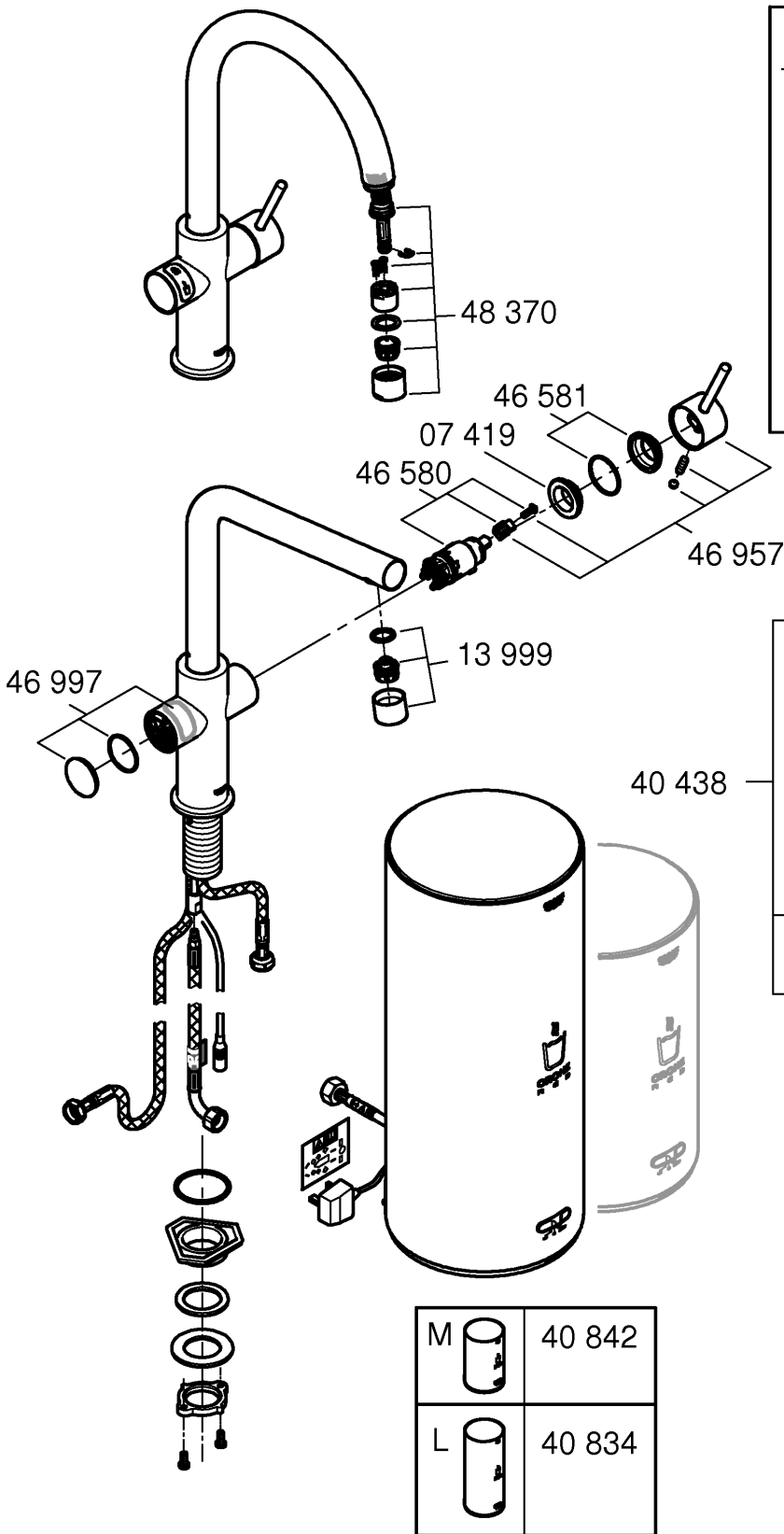


14 - 16

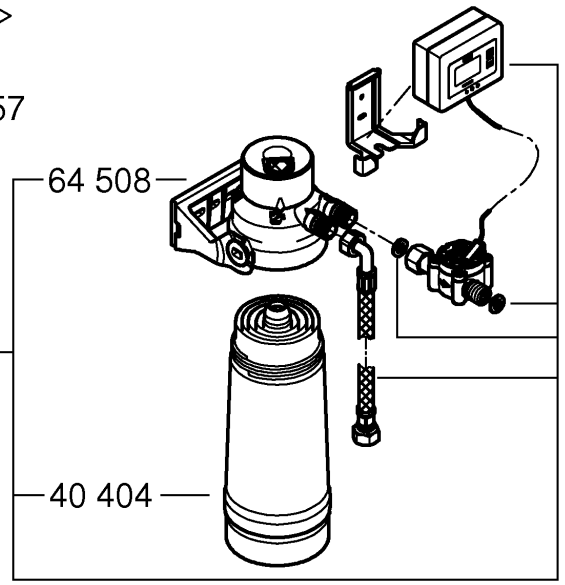


19

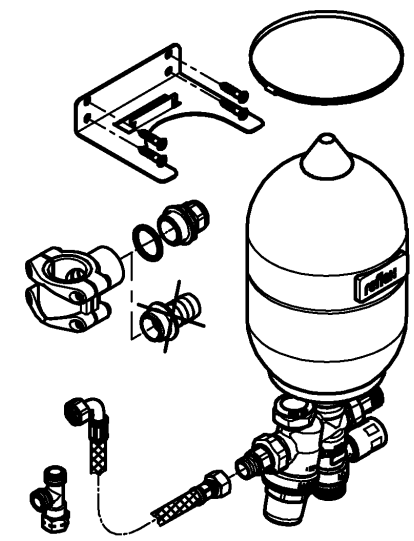


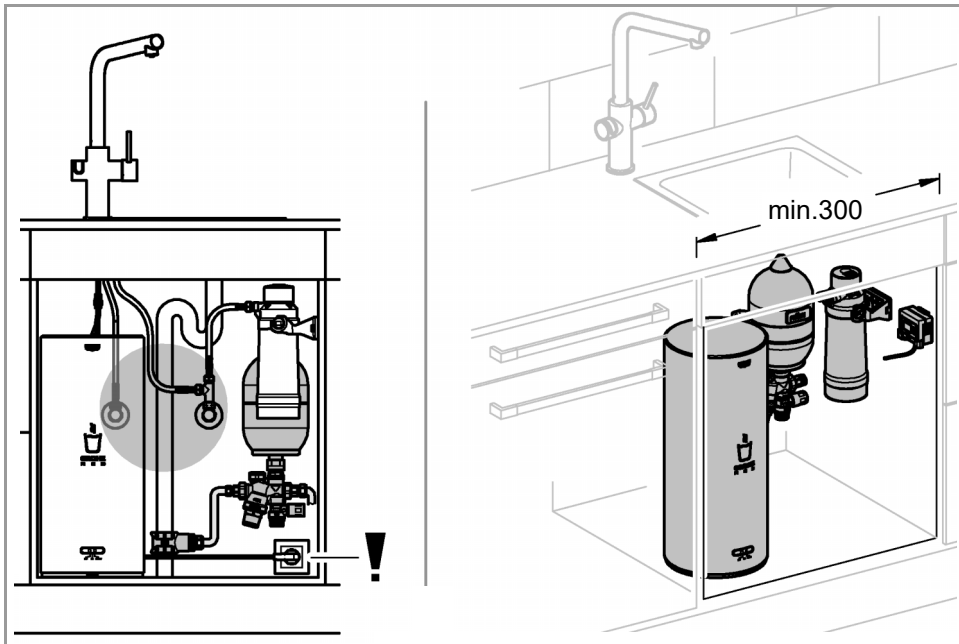
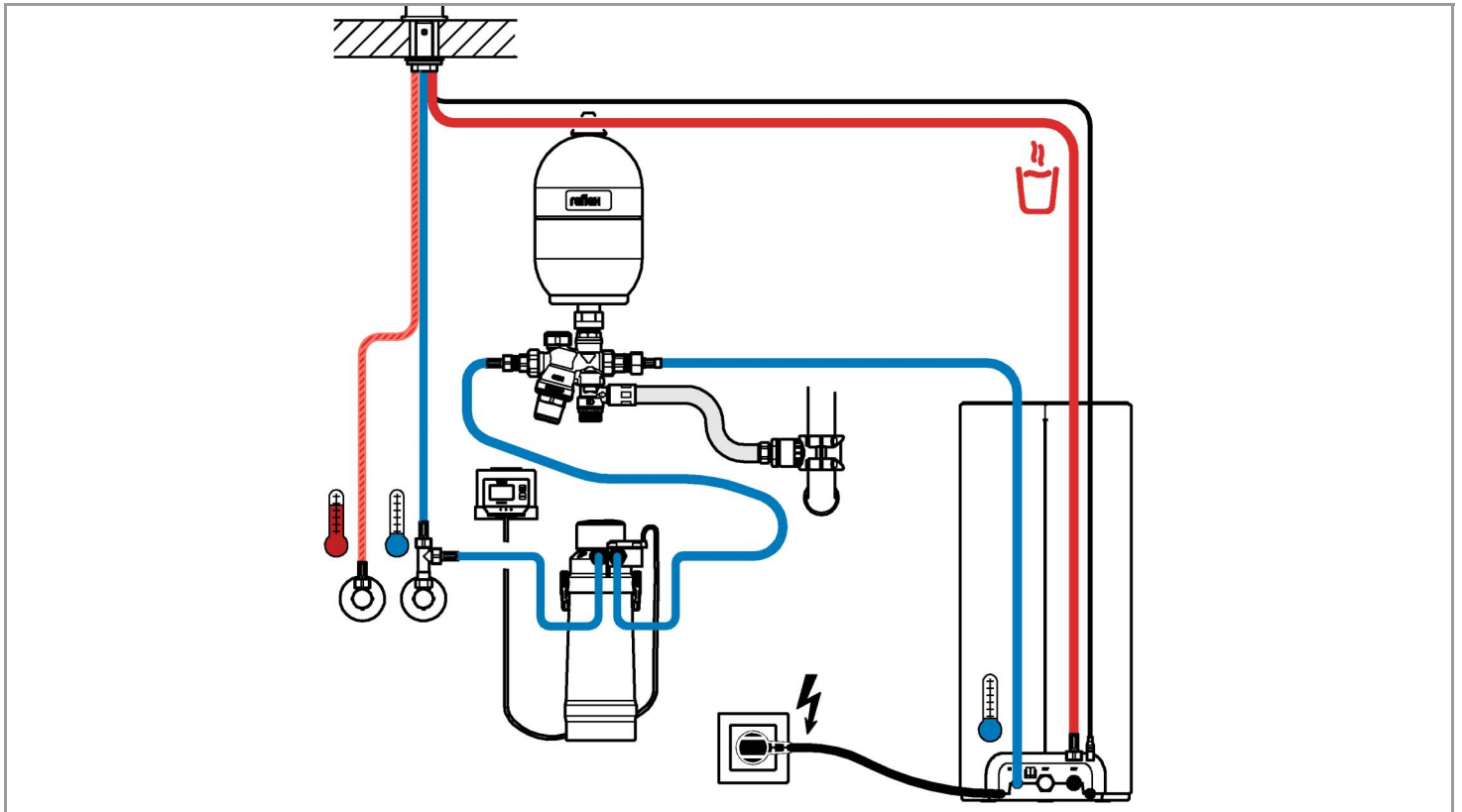


*40 841	*40 412
	*40 430
	*40 547 (AC)
	*40 575 (UltraSafe)
	*40 691 (Mg+Zn)



M		40 842
L		40 834





**GROHE**

Grohe AG  
Industriepark Edelburg  
58575, Germany

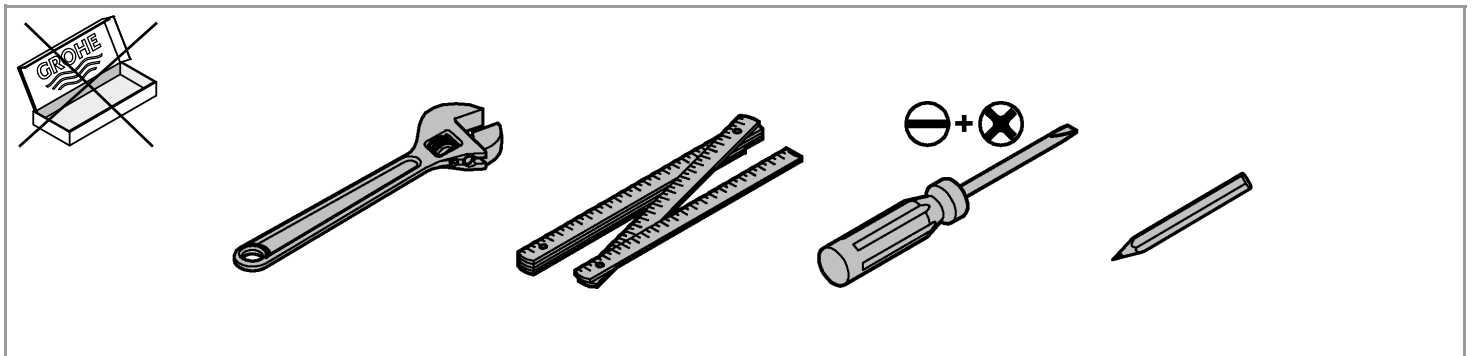
Grohe RED UK

■ L 1000 kPa  
230V~ 2200W  
IPx4

CE

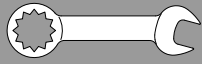
~~WEEE~~

Serienr.

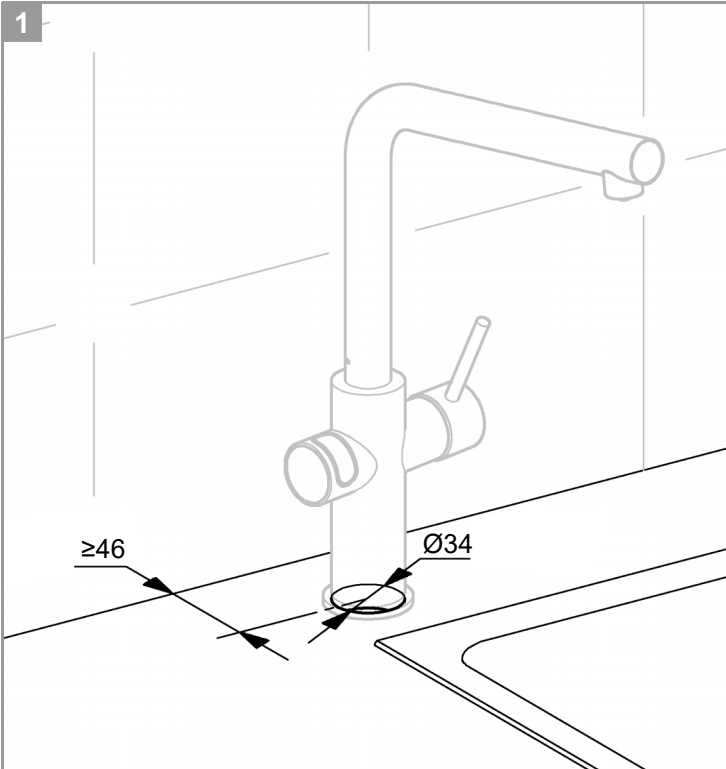


**GROHE** Deutschland Vertriebs GmbH  
Zur Porta 9  
D-32457 Porta Westfalica

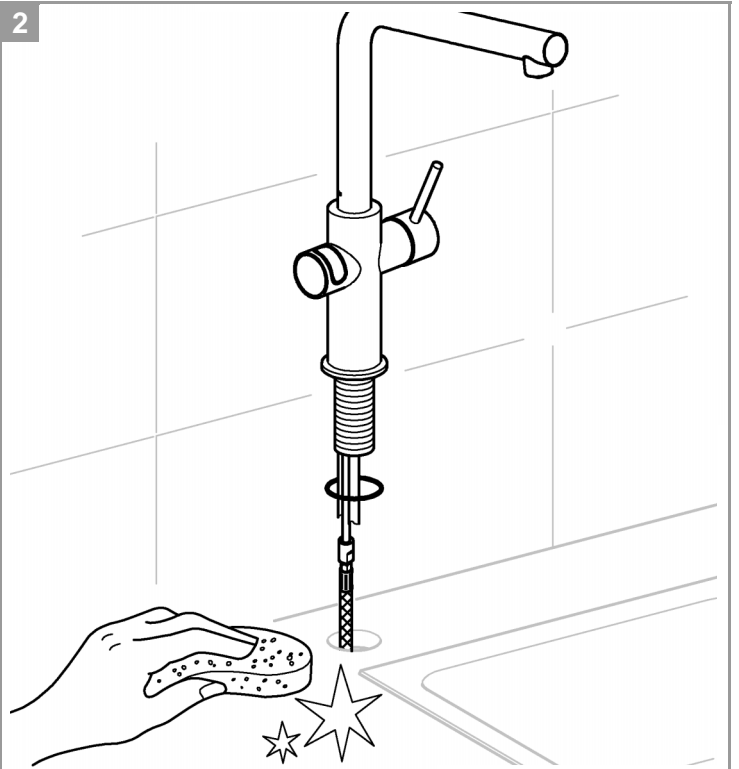




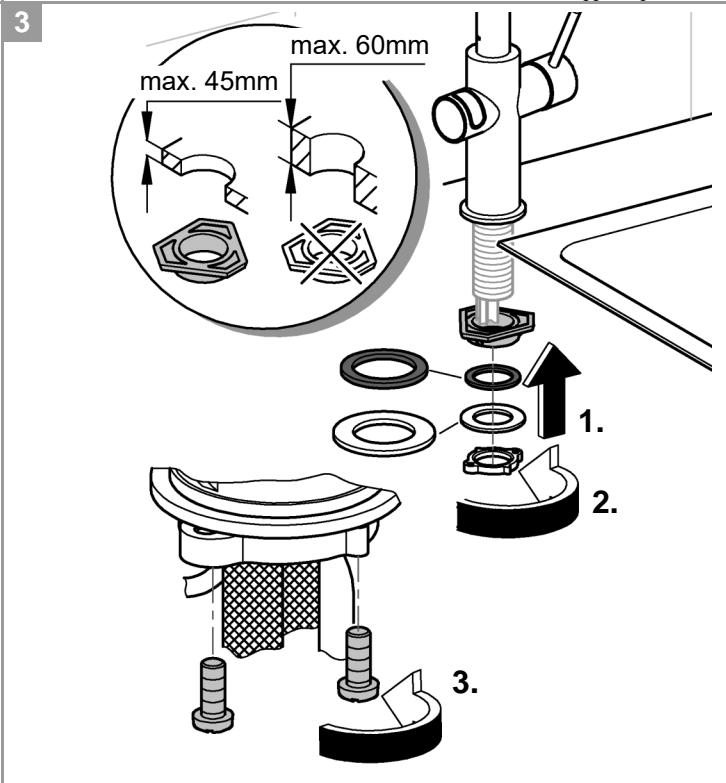
1



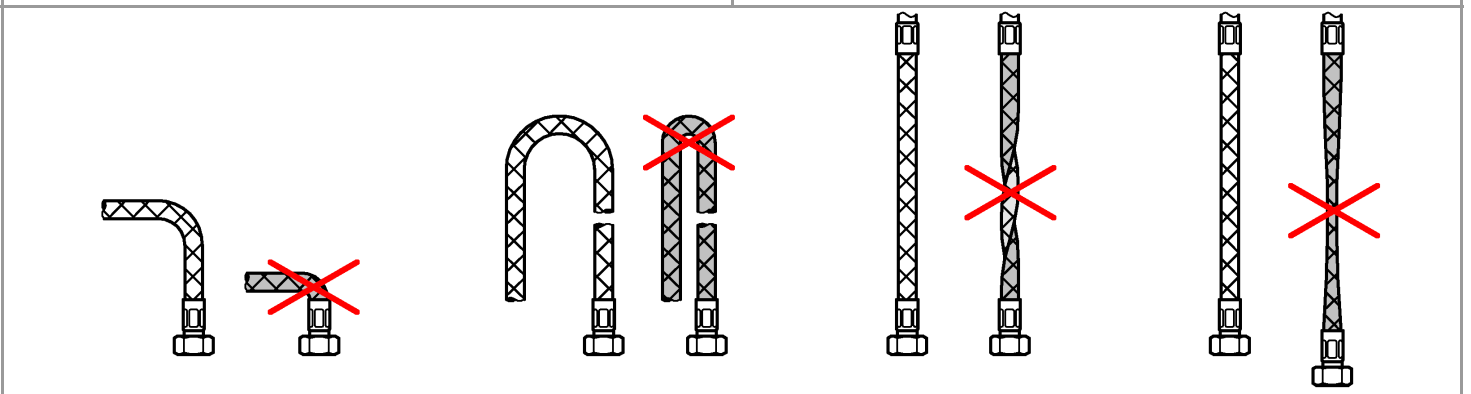
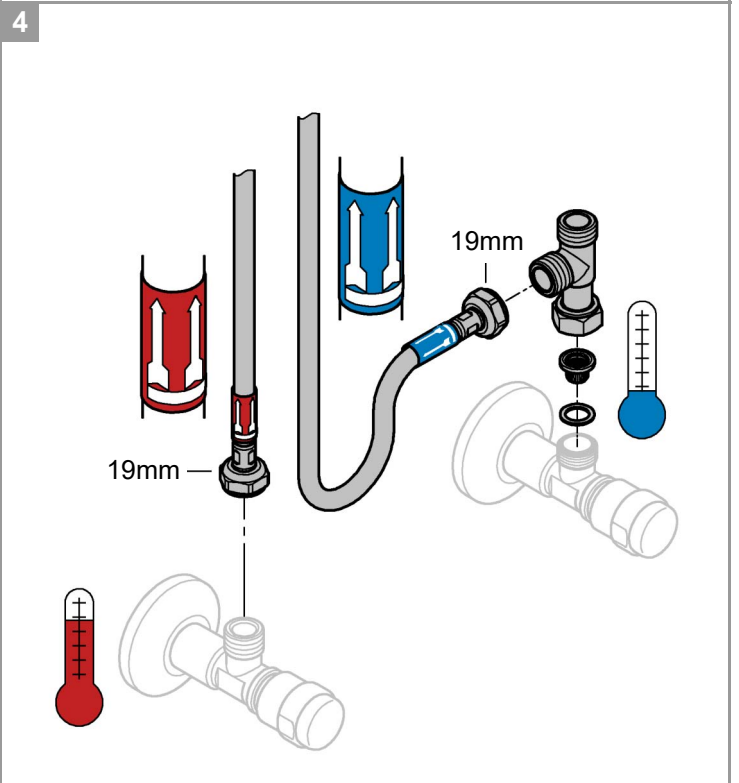
2



3

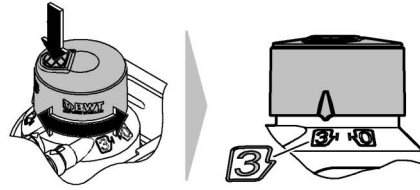
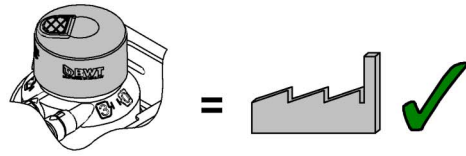
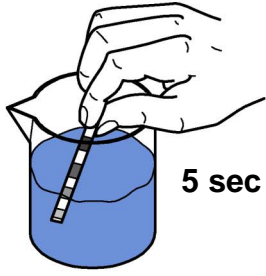


4

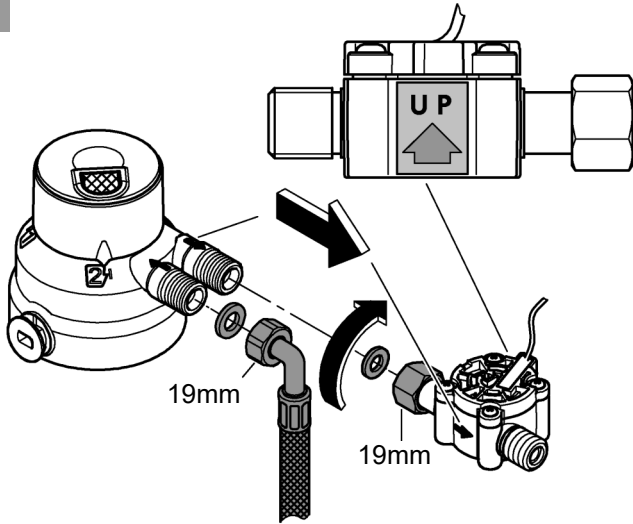




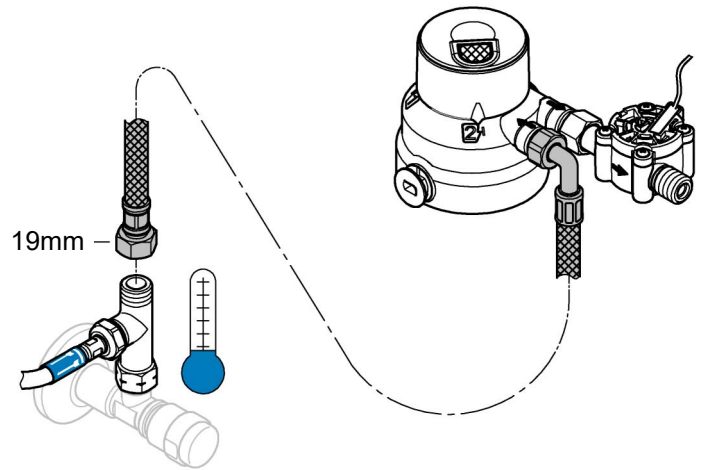
Determine local water hardness (°dKH/°dGH).



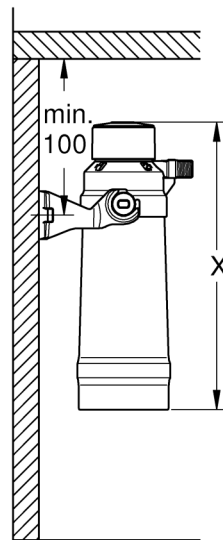
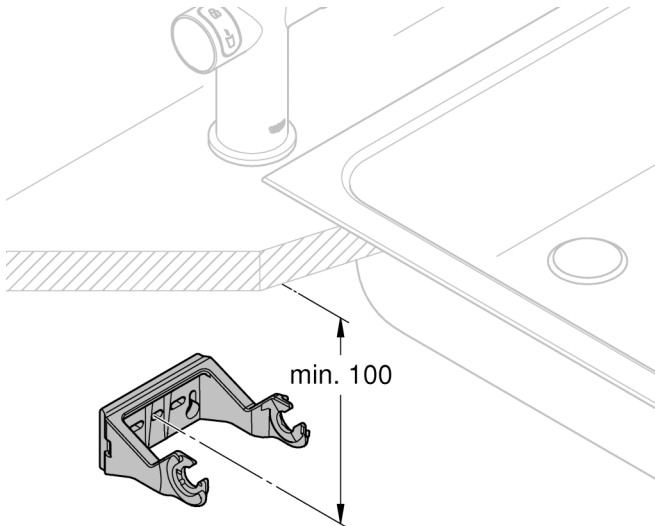
5



6

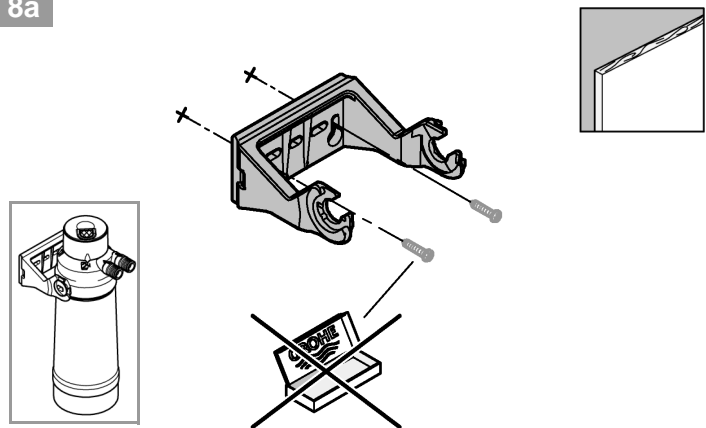


7

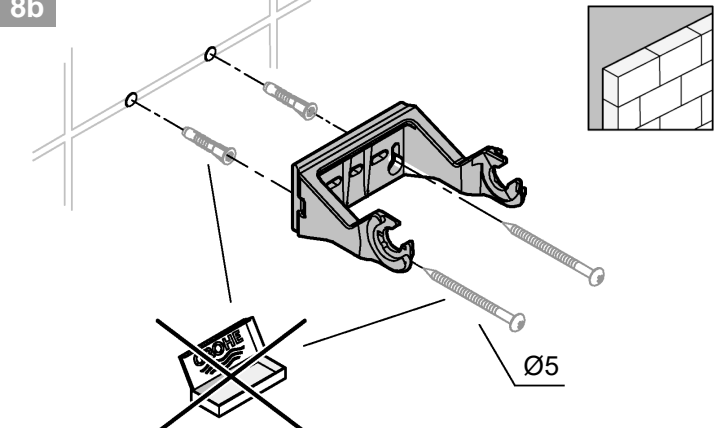


	X
40 404 S	270
40 430 M	350
40 412 L	386
40 547 Ac	270
40 575 UltraSafe	350
40 691 Mg+Zn	350

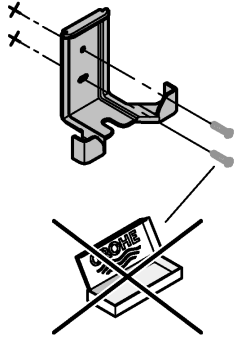
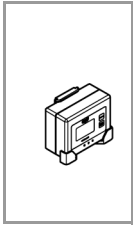
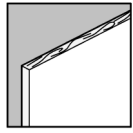
8a



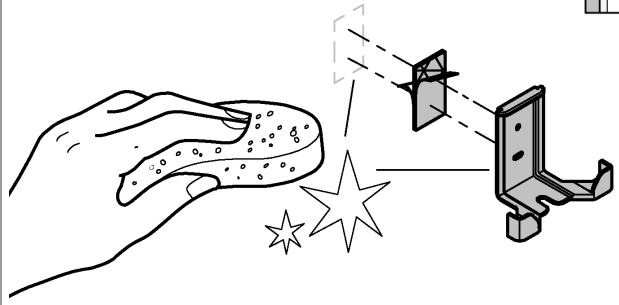
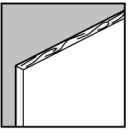
8b



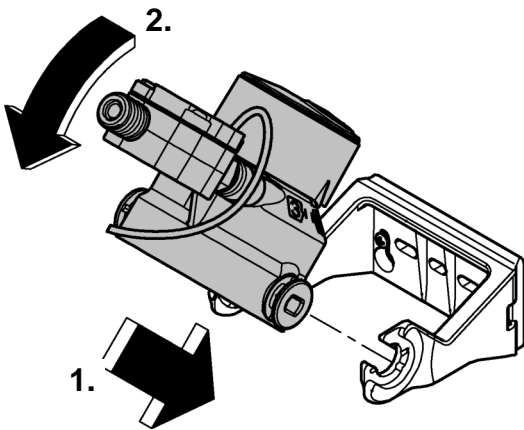
9a



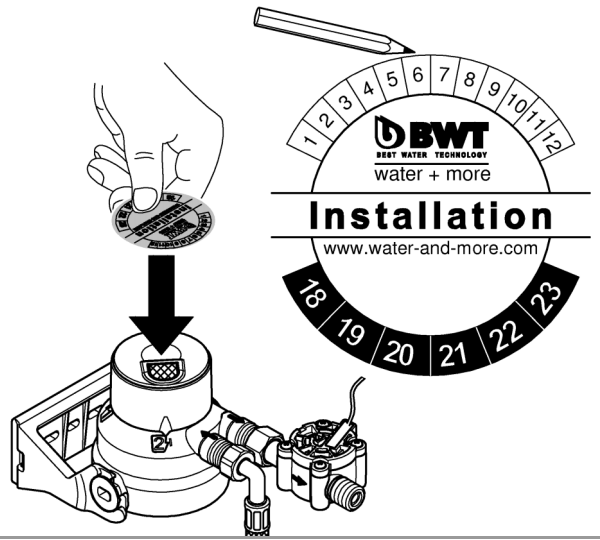
9b



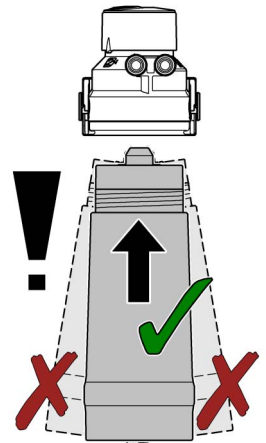
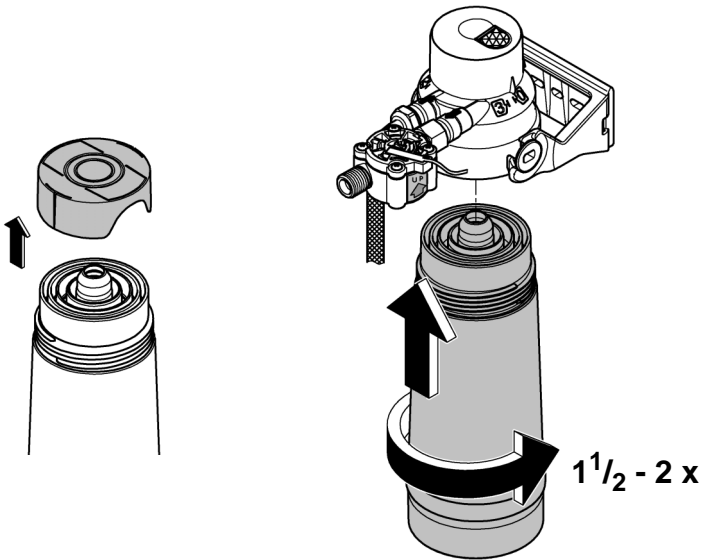
10



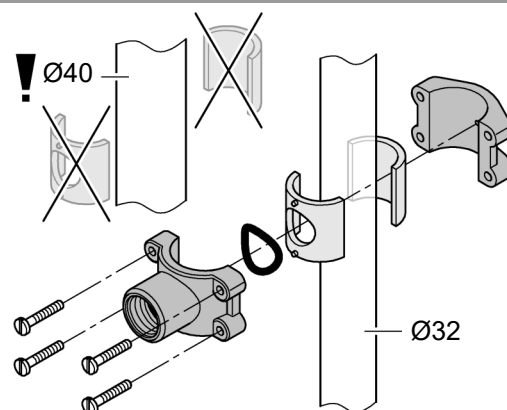
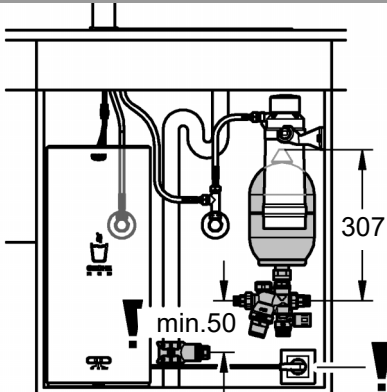
11



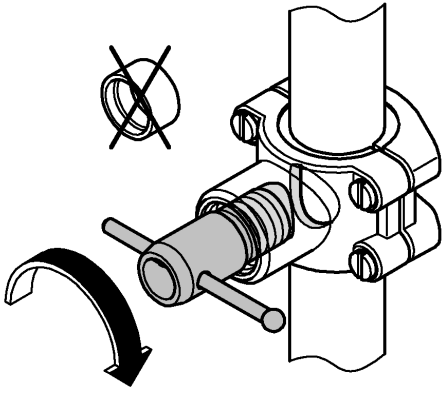
12



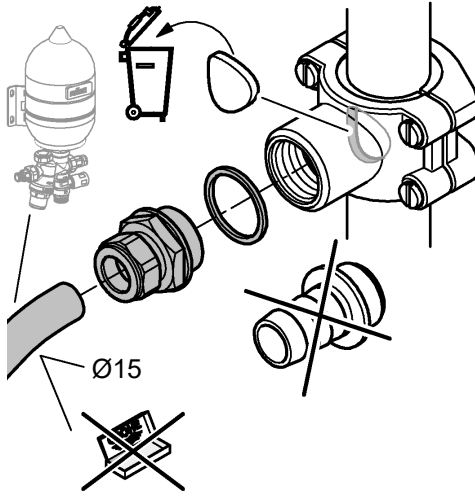
13



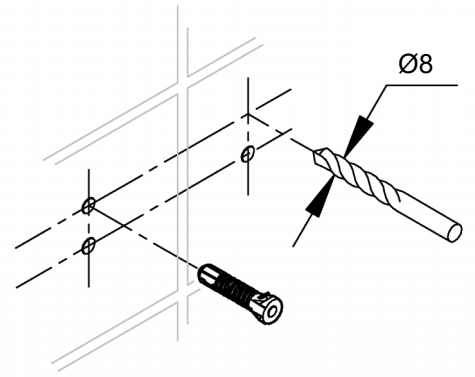
14



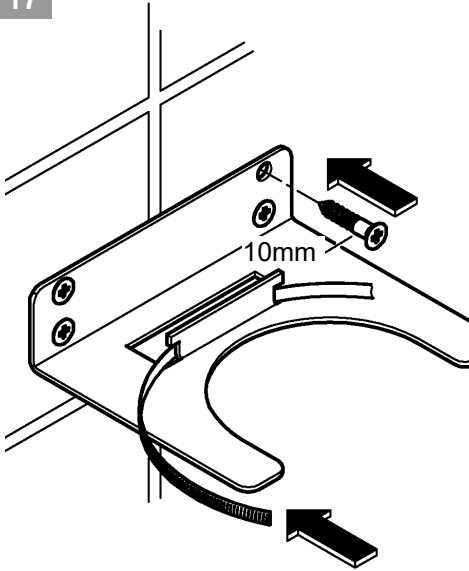
15



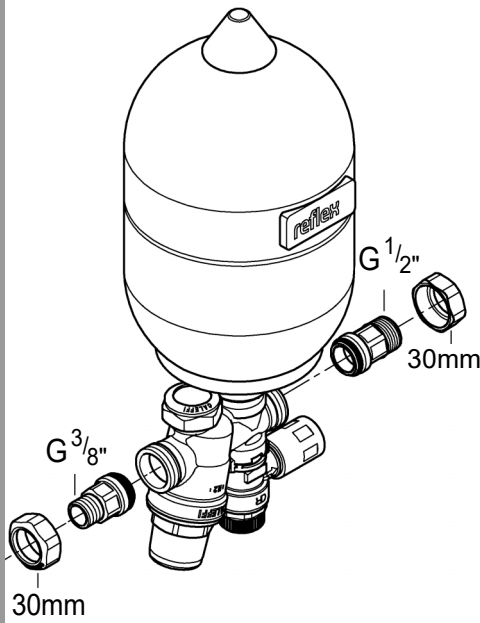
16



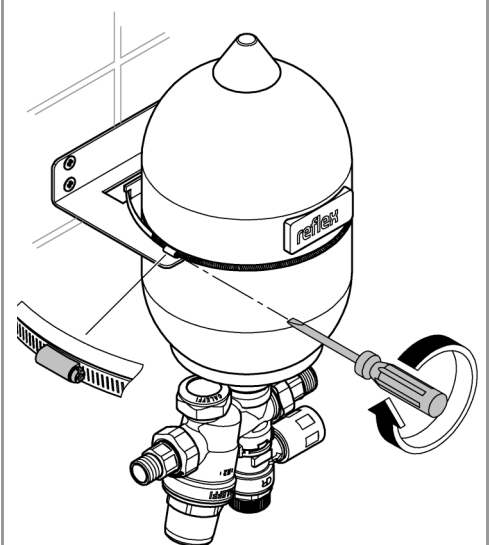
17



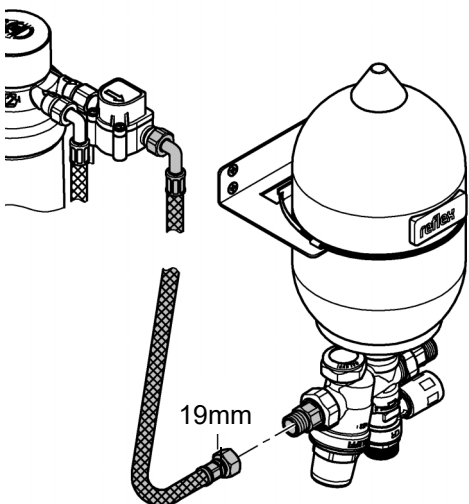
18



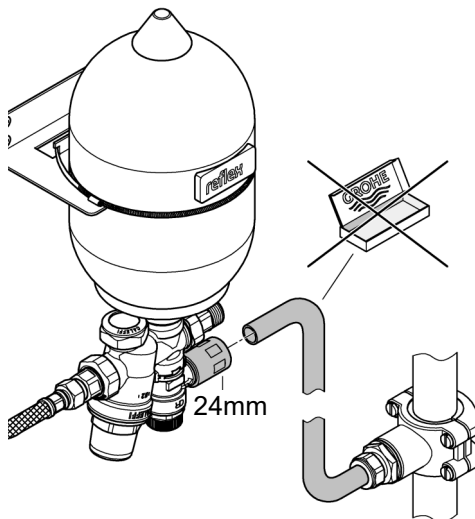
19



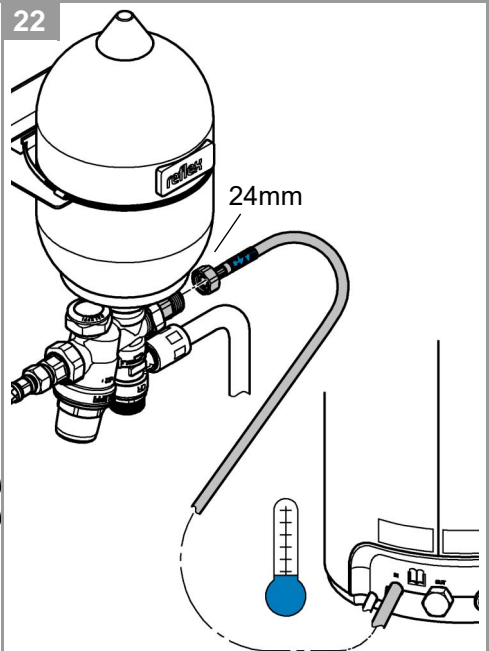
20



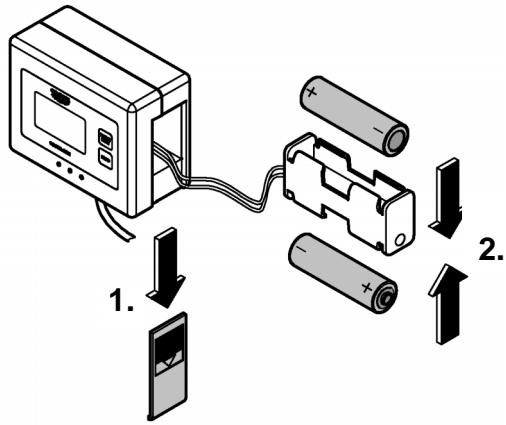
21



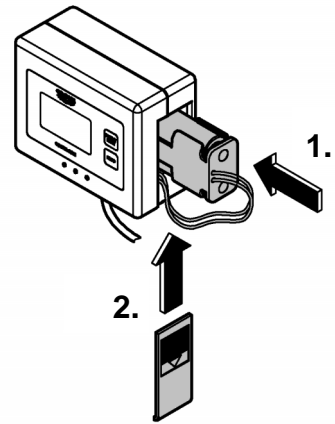
22



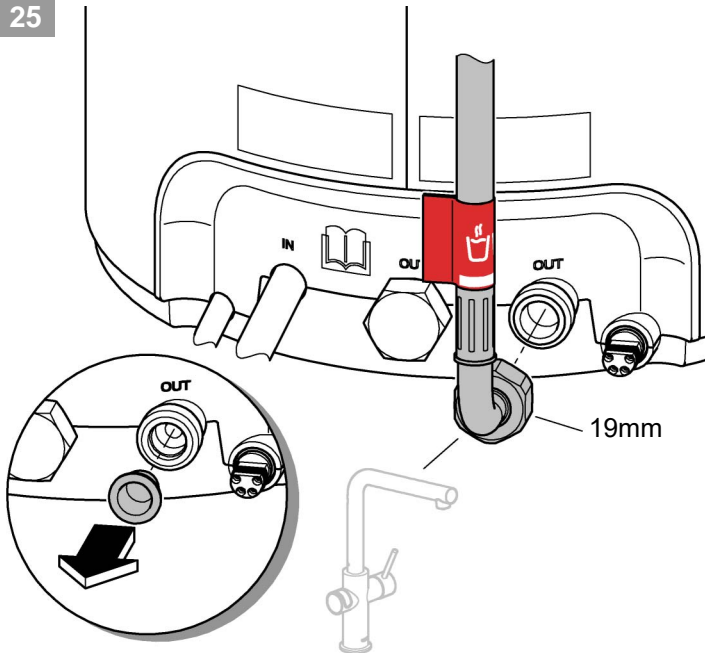
23



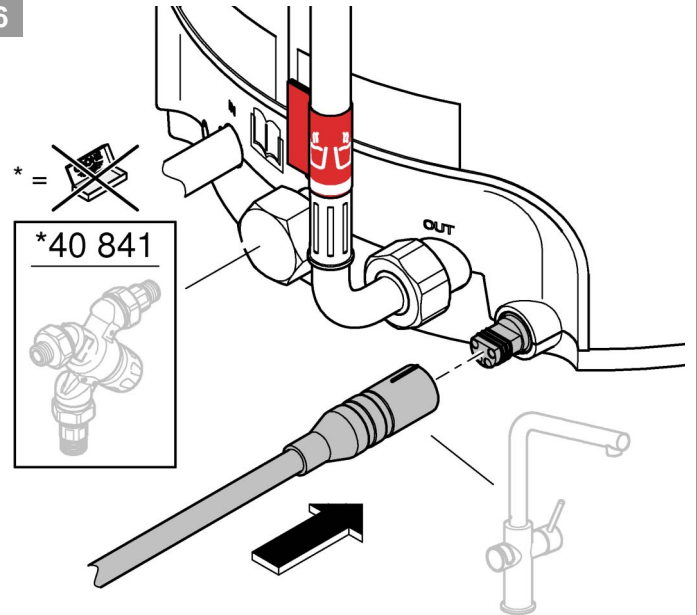
24



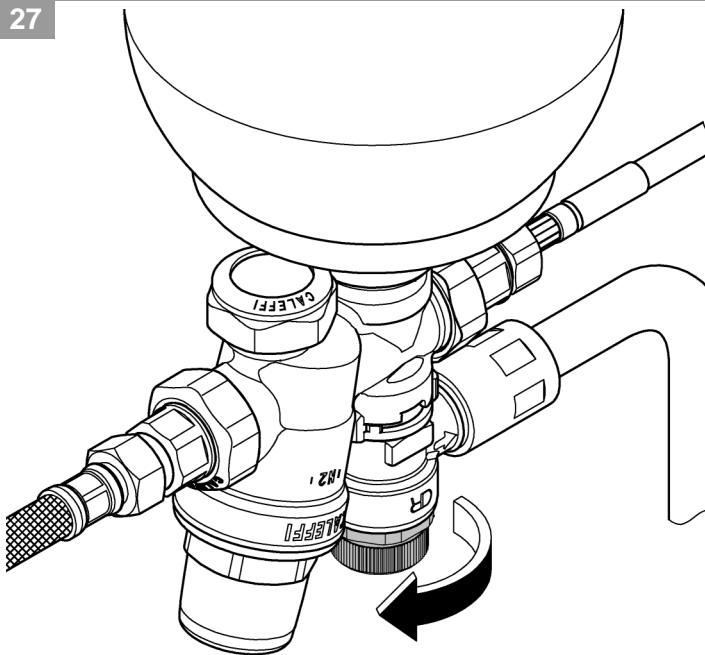
25



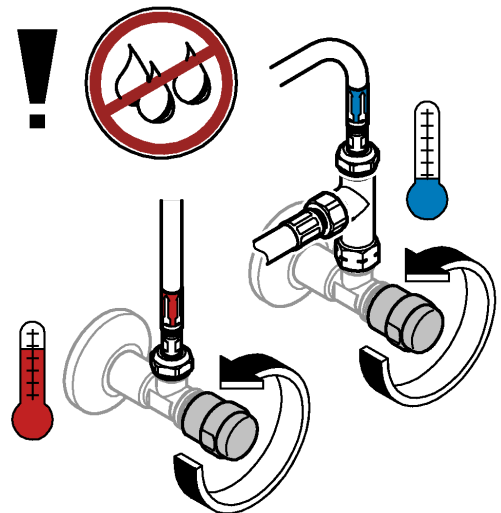
26



27

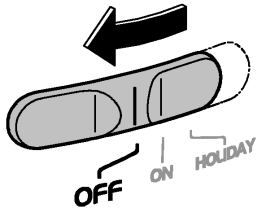


28

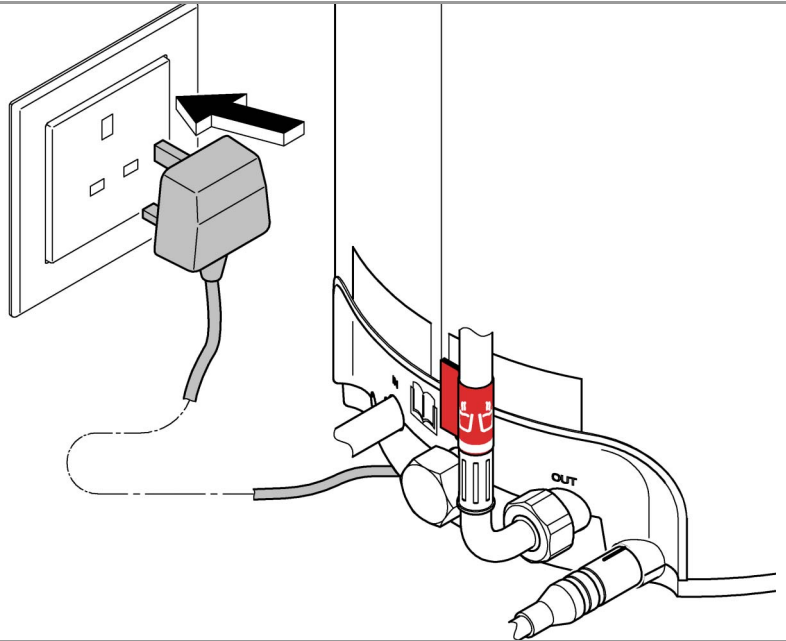




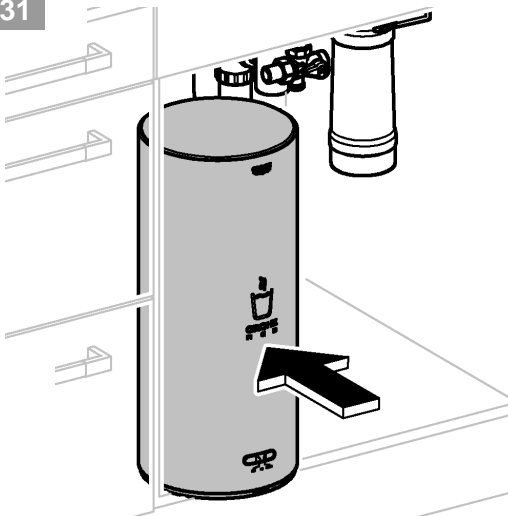
29



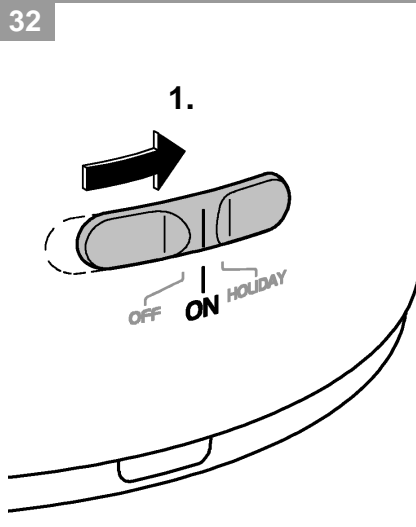
30



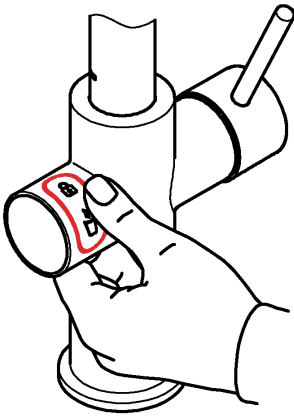
31



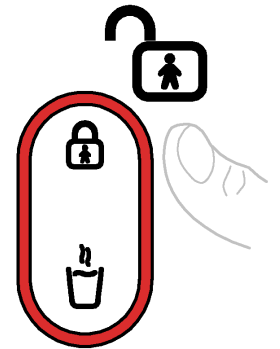
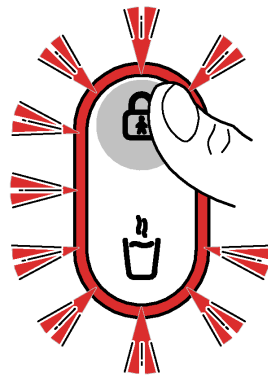
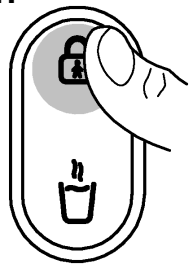
32



33



1.



Press and hold.

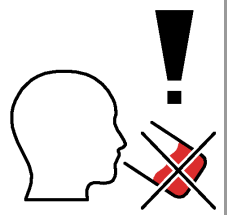


Press several times.



Release.

2.



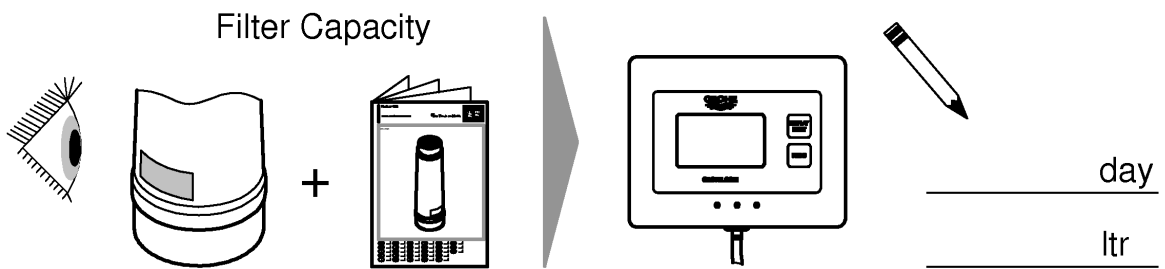


Filter Capacity

°dKH	S-Size	M-Size	L-Size	Ac	UltraSafe	°dGH	Mg+Zn
	40404001	40430001	40412001	40547001	40575002		40691002
0	<b>2000</b>	<b>4000</b>	<b>7600</b>	<b>3000</b>	<b>3000</b>	< 7	<b>1600</b>
3	<b>2000</b>	<b>4000</b>	<b>6500</b>	-	-	7 - 9	<b>1200</b>
6	<b>2000</b>	<b>4000</b>	<b>6500</b>	-	-	10 - 12	<b>700</b>
10	<b>1000</b>	<b>2500</b>	<b>4000</b>	-	-	13 - 16	<b>500</b>
15	<b>800</b>	<b>2000</b>	<b>3200</b>	-	-	17 - 20	<b>400</b>
20	<b>600</b>	<b>1500</b>	<b>2500</b>	-	-	21 - 24	<b>300</b>
						25 - 32	<b>200</b>
						>32	<b>100</b>

Determine local water hardness (°dKH/°dGH).

Size	Day
<b>S-Size</b>	365
40404001	
<b>M-Size</b>	365
40430001	
<b>L-Size</b>	365
40412001	
<b>Ac</b>	365
40547001	
<b>UltraSafe</b>	180
40575002	
<b>Mg+Zn</b>	365
40691002	



1

2

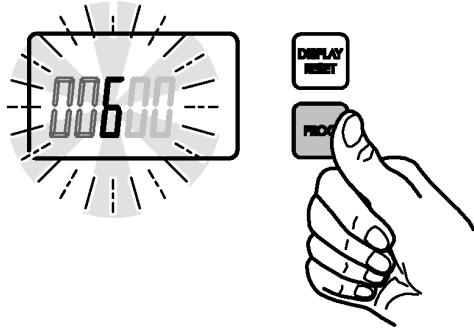
3

4

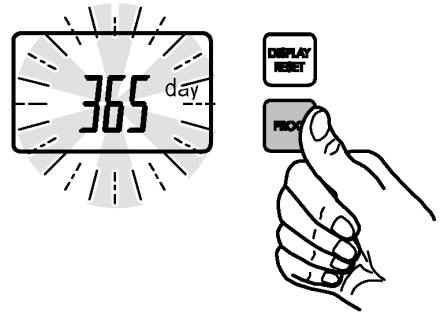
5



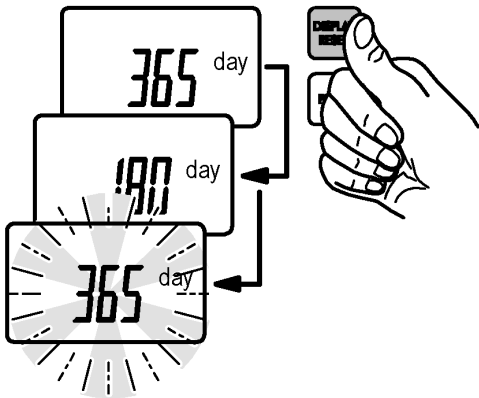
6



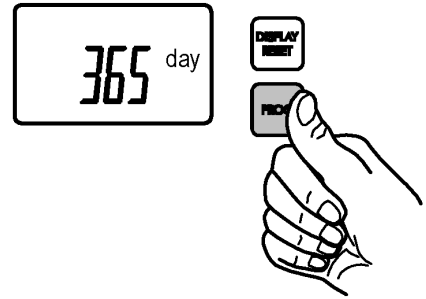
7



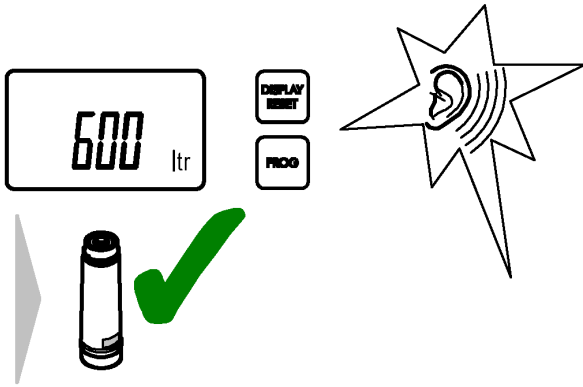
8



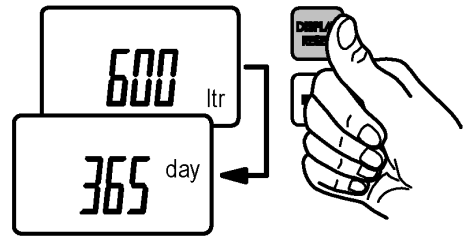
9



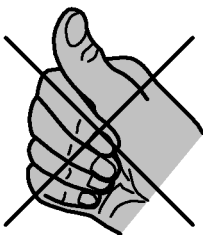
10



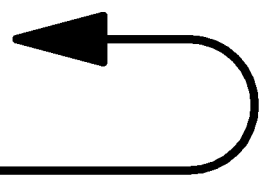
11



> 1min



1

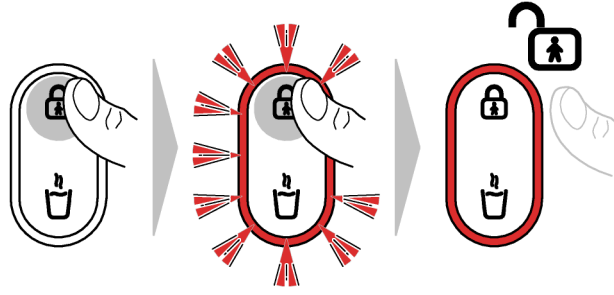




A



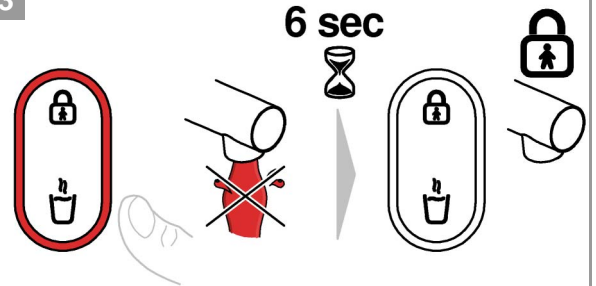
1



2



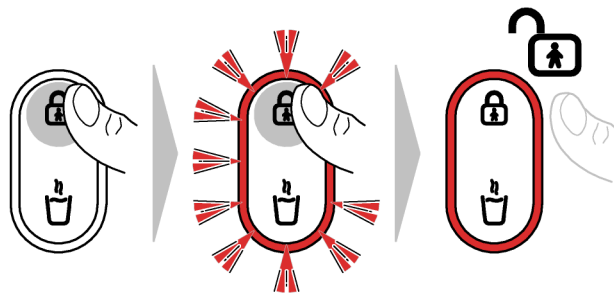
3



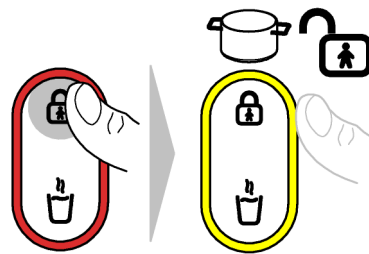
B



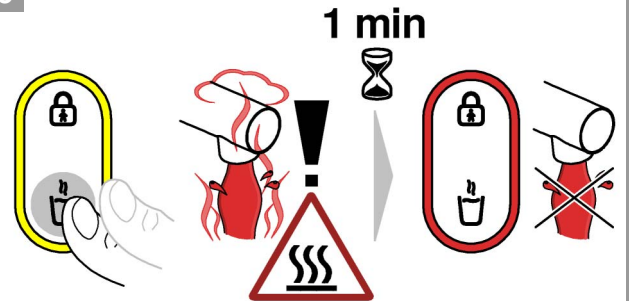
1



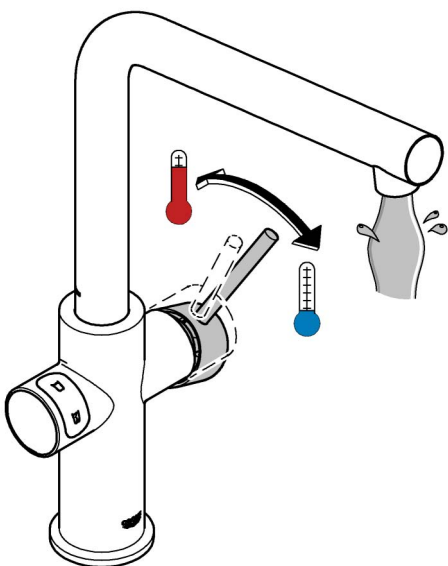
2



3

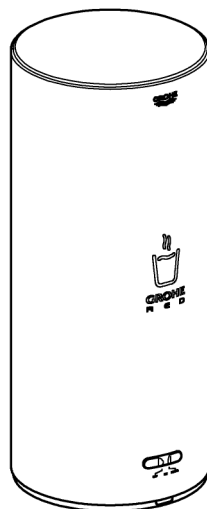


C

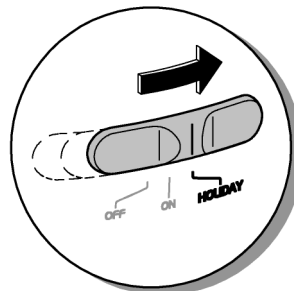
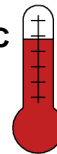


D

HOLIDAY

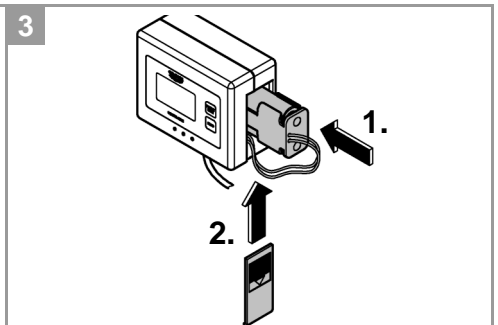
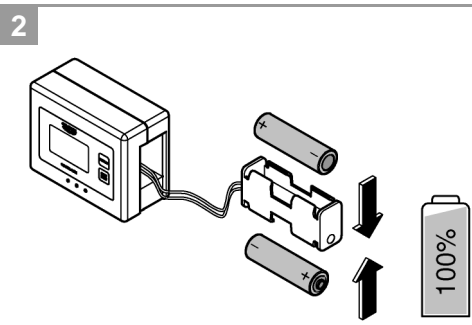
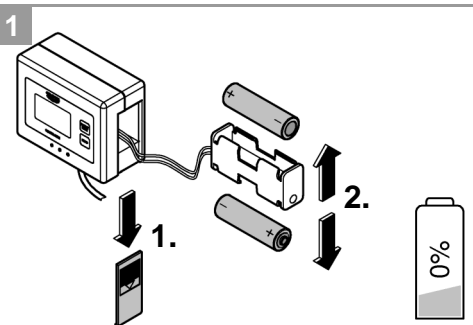
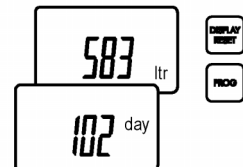
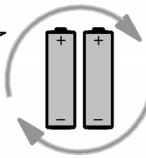
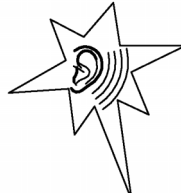
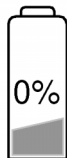
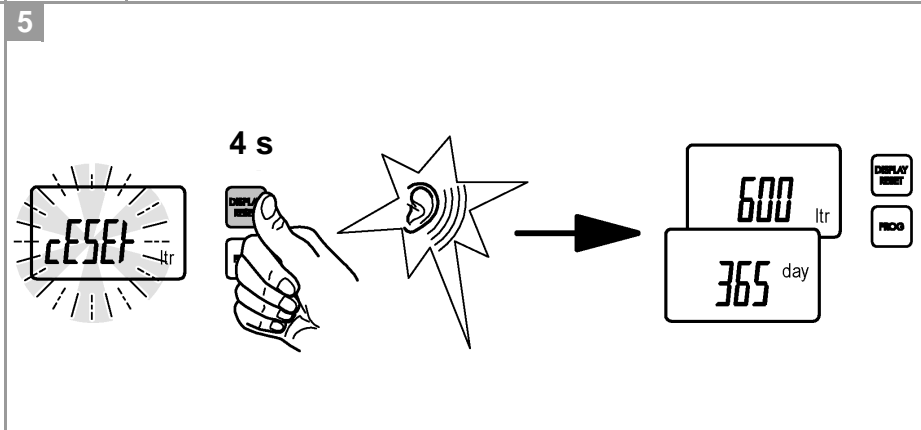
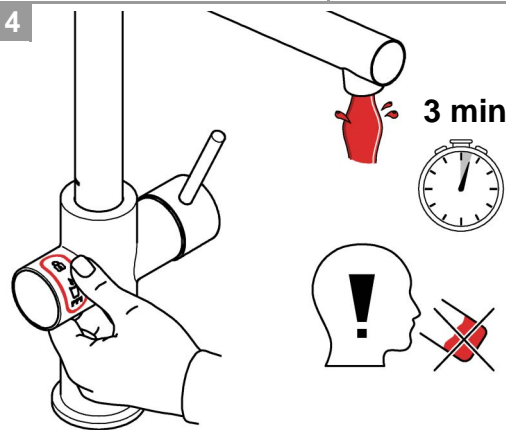
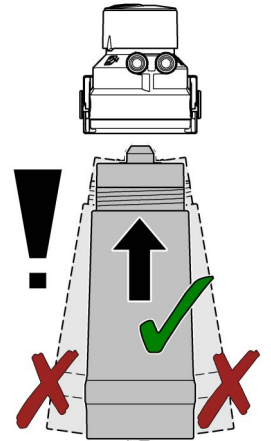
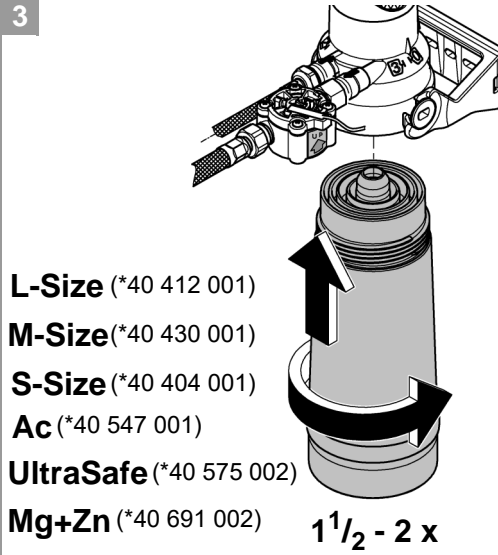
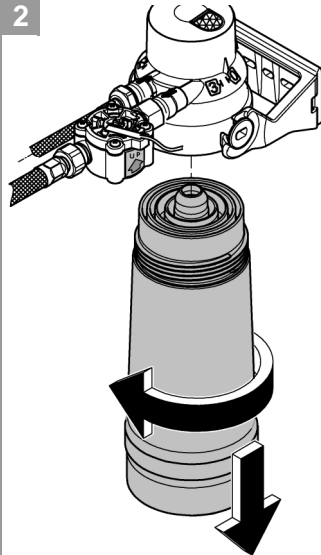
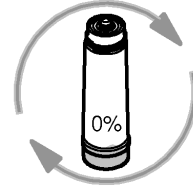
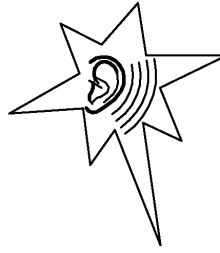
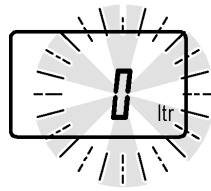


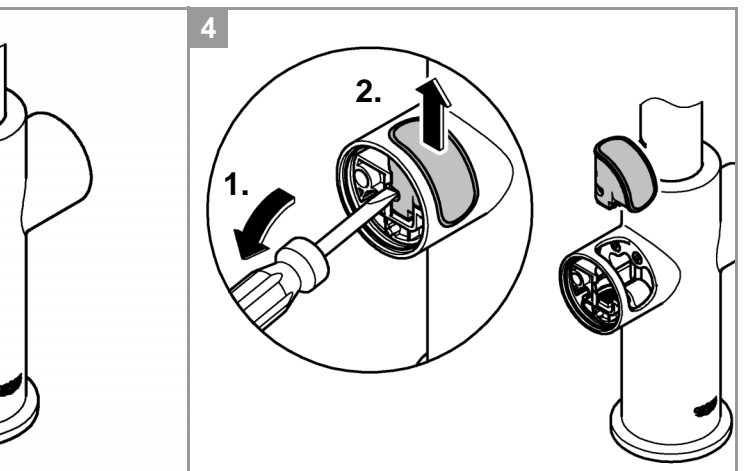
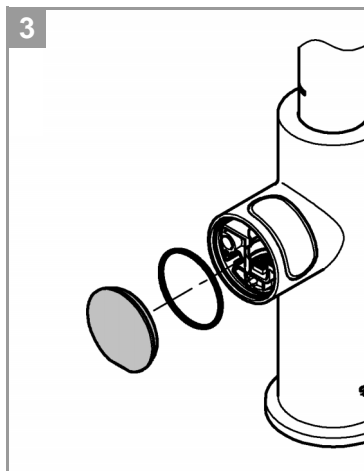
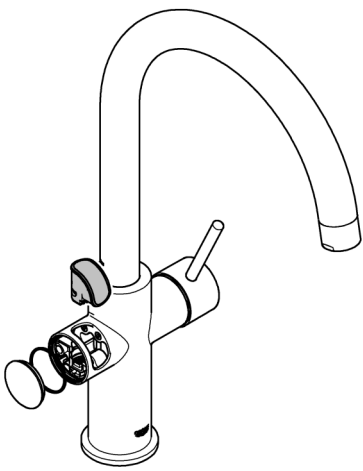
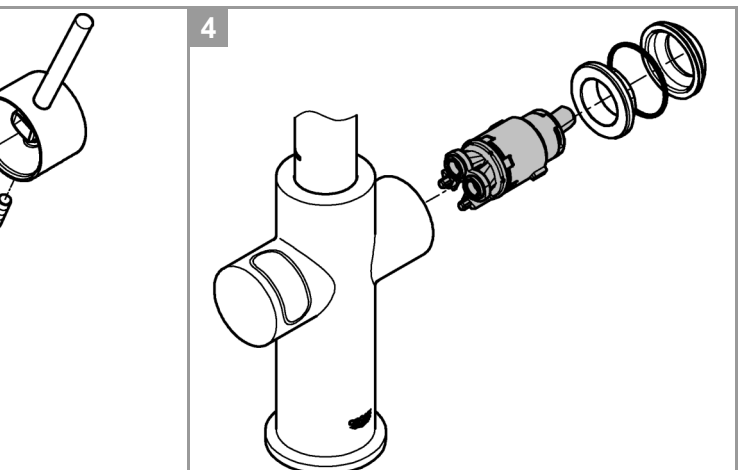
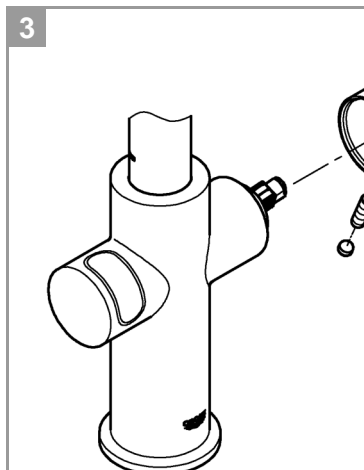
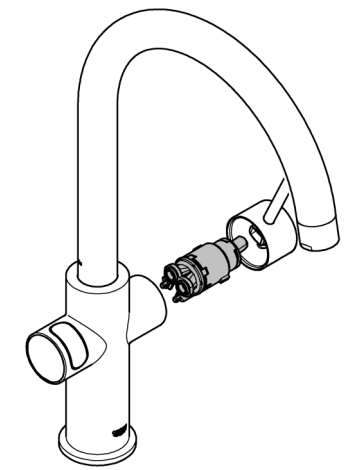
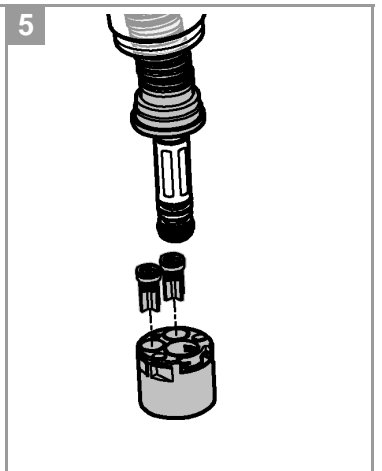
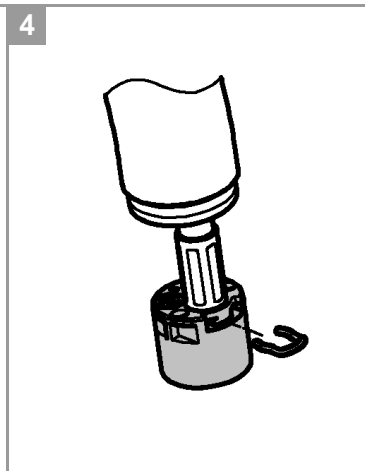
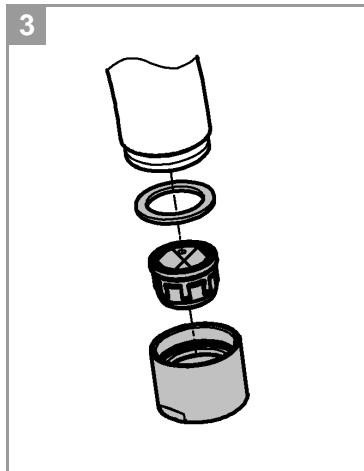
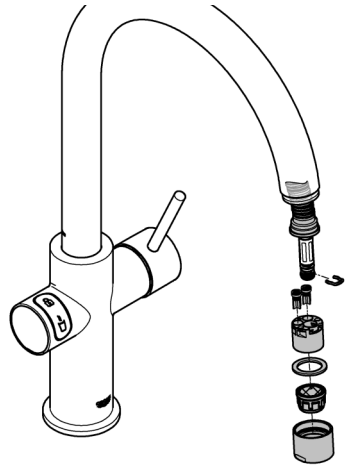
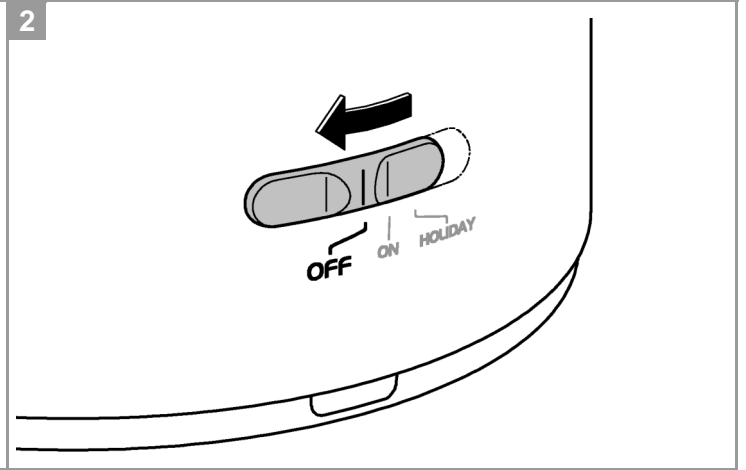
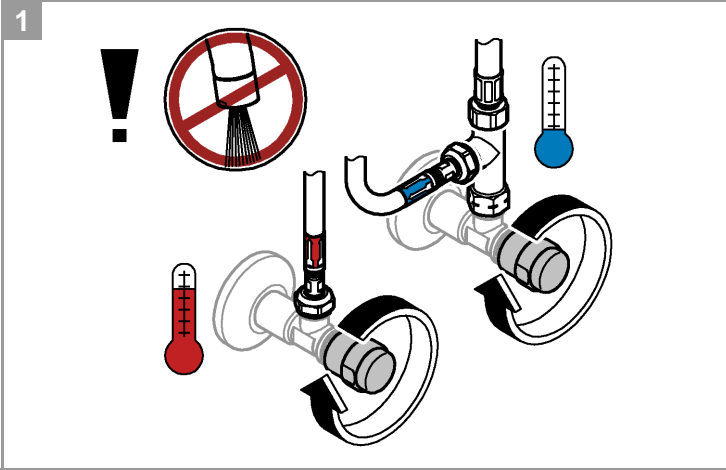
max. 60°C



max. 60°C







## Safety information



This device may be used by **children** over 8 years of age, as well as persons with physical, sensory, or mental disabilities or inadequate experience and knowledge, if they are under supervision or were instructed in the safe use of the device and understand the resulting risks. **Children** must **not** play with the device. Cleaning and **user maintenance** must **not** be carried out by **children** without supervision.

Prevent danger resulting from damaged power supply cables. In the case of damage, the mains cable **must** be replaced by the manufacturer or his customer service department, or an equally qualified person.



Caution: risk of scalding. Escaping water is boiling hot. Never touch the end of the spout in order to swivel it, as it becomes extremely hot.

- The installation and use of GROHE Red is subject to the applicable national regulations.
- The boiling water storage heater must be connected to a permanent voltage supply of 10 A and residual current device. Ensure the system is earthed. If in any doubt, the electrical installation should be checked by a qualified electrician. The socket must be freely accessible after installation is complete.
- The installation **may only** be performed in frost-free rooms.
- The boiling water storage heater is **only** suitable for indoor use.
- The boiling water storage heater **must** be placed in an upright position.
- The boiling water storage heater must **not** be directly or indirectly sprayed with water when cleaning.
- The boiling water storage heater must not be opened.
- Use **only genuine replacement parts and accessories**. The use of other parts will result in voiding the warranty and the CE marking, and could cause injury.
- Do not use a damaged device.
- The filter head **must be** replaced after 5 years by the **GROHE service**.
- The use of extension cables is **not** permitted between the electrical socket and boiling water storage heater connection.
- The boiling water storage heater **must** be used with the safety assembly supplied.
- To ensure uninterrupted function of the safety assembly, it is advisable to have maintenance work carried out regularly.
- The boiling water storage heater may only be used with a GROHE Red fitting.
- Do **not** connect the hot water connection of the fitting to the hot water outlet of the storage heater. A mixing valve **must** be used (special accessory \*40 841), as necessary.
- If the operating pressure is insufficient, the boiling water storage heater **must** be switched off.
- In order to transport the boiling water storage heater, it **must** first be emptied. To do this, the safety assembly must be disconnected from the boiling water storage heater. **Caution: risk of scalding.** Escaping water is boiling hot.
- No liability can be accepted for damage that occurs due to non-observance of the operating instructions.

## Technical data boiling water storage heater:

- Connection: wall socket with earth wire, protected via a 10 A fuse
- Installation elevation: max. 2000 m above sea level
- Voltage supply: 230 V AC / 50 Hz
- Max. power consumption: 2200 W
- Type of protection: IP X4
- Relative humidity: max. 95 %
- Ambient temperature: 0–40 °C
- Standby power loss (switched on): M: 14 W  
L: 15.7 W
- Standby power loss (holiday mode): M: 5 W  
L: 7 W
- Standby power loss (switched off): 1 W
- Energy efficiency class: A

## Sanitary data:

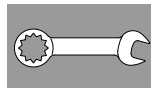
- Boiling water storage heater capacity: M: 4 l  
L: 7 l
- Available storage heater volume at 100 °C: M: approx. 3 l  
L: approx. 5.5 l
- Flow pressure:
  - min. 0.2 MPa
  - recommended 0.2–0.5 MPa
- Operating pressure: max. 0.8 MPa
- Test pressure: 1.6 MPa
- Flow rate at 0.3 MPa flow pressure
  - mixed water: approx. 6 l/min
  - boiling water: approx. 3 l/min
- Boiling water temperature: 99 °C  
The actual temperature may differ slightly due to different ambient pressures.
- Heating time from 10 °C to 99 °C: M: approx. 20 min  
L: approx. 30 min
- Clamping length of fitting: max. 60 mm
- Water connection to storage heater: cold water
- Water connection fitting: cold/hot water from the service valve  
boiling water from storage heater

The filter system with ion exchanger (S, M, L or Mg+) which is included **must** be used in regions with a carbonate hardness exceeding 10 °KH. The relevant water supplier can provide information on the carbonate hardness.

Thermal disinfection of the fitting is possible.

## Confirmation

Status	Storage heater LED	Fitting LED
Initialisation	white	-
Heating phase	red, flashing	-
Ready for operation	red, continuous	-
Holiday mode, cooling-down phase	orange, flashing	-
Holiday mode	orange, continuous	-
Child lock, unlocking procedure	-	red, flashing
Child lock, unlocked	-	red, continuous
Pot filling, unlocking procedure	-	yellow, flashing
Pot filling	-	yellow, continuous
Defects	magenta, flashing/continuous	magenta, flashing/continuous



## Installation and commissioning

**Flush pipes thoroughly before and after installation** (observe EN 806)!

**Adjust bypass of filterhead according to local carbonate hardness and connect filter cartridge.**

The carbonate hardness can be tested by using the enclosed test strip or the relevant water supplier can provide information on the carbonate hardness.

**Note: The volume of water in the storage heater will expand as it is heated. The expansion water must drip out of the funnel of the safety assembly.**

**This is a necessary and completely normal process.**

**Check all connections for leakage.**

**Retighten screw connections as necessary.**

### Control:

The control is set for operation with the S-size filter cartridge (prod no.: 40 404 001) at the factory.

The control must be adjusted for operation with other filter cartridges, see page 9 - 10.



**Operation**, see page 11.

Unlock the child lock to draw off boiling water, see **A**.

The button combination for filling pots with boiling water, see **B**.

To get cold or hot water, see **C**.

Activating holiday mode, see **D**.

### Note:

In order to prevent incorrect operation and for protection against injury, we recommend affixing the sticker provided.



## Maintenance and cleaning

### CAUTION!

#### ■ Risk of damage!

**Always disconnect from the voltage supply before carrying out maintenance work on the system. The plug-in connector can then be disconnected.**

**■ If work is performed on mains power supply or in case of any maintenance work, the GROHE Red boiling system must be bled as otherwise blasts of steam could form as a result.**

- Draw off boiling water from the storage heater until just cold water flows.
- Close the service valve, switch off the storage heater and disconnect the mains plug.
- Open the lever on the fitting and as well as the rotary knob on the safety assembly to depressurise the storage heater.
- Drain the storage heater (not required each time maintenance is performed): Remove the cap or hose to the mixing valve and drain the storage heater using the connecting hose to the safety assembly.
- Inspect and clean all parts, replace as necessary and lubricate with special fitting grease.



## Service

Fault ?	Cause !	Remedial action ✓
Boiling water does not flow, handle flashes magenta once	<ul style="list-style-type: none"> <li>• Filter not installed correctly</li> <li>• Hoses kinked</li> <li>• Water supply interrupted</li> </ul>	<ul style="list-style-type: none"> <li>- Insert filter straight (1½ - 2 turns)</li> <li>- Check hoses for kinks</li> <li>- Open shut-off valves fully</li> </ul>
Boiling water does not flow, boiling water in use No display on the handle	<ul style="list-style-type: none"> <li>• Software fault</li> </ul>	<ul style="list-style-type: none"> <li>- Switch off the storage heater, briefly disconnect from the mains power supply and switch on again</li> </ul>
Handle lights up magenta permanently	<ul style="list-style-type: none"> <li>• System fault</li> </ul>	<ul style="list-style-type: none"> <li>- Contact GROHE customer service</li> </ul>

The GROHE boiling water storage heater may only be repaired by GROHE customer service.

The boiling water storage heater is an electrical device, to which return and take-back obligations apply in many countries. GROHE participates in such take-back systems in all relevant countries.

### Environment and recycling

For reasons of hygiene, it is not possible to recycle used filter cartridges. Used filter cartridges can be disposed of hazard-free as residual waste.



Devices with this marking do **not** belong in domestic waste, but **must** be disposed of separately in accordance with the relevant national regulations.



A series of horizontal lines for writing, spanning the width of the page. There are 25 lines in total, evenly spaced, providing a template for handwriting practice.



A series of horizontal lines for writing, starting below the header bar and extending to the bottom of the page.

Pure Freude  
an Wasser

**GROHE**  


- D**  
☎ +49 571 39 89 333  
service.de@grohe.com
- A**  
☎ +43 1 6 80 60  
info-at@grohe.com
- AUS**  
☎ 1800 080 055  
customer.care@reece.com.au
- B**  
☎ +32 (0)2 899 3077  
[https://www.grohe.be/nl\\_be/onzeservice/contact.html](https://www.grohe.be/nl_be/onzeservice/contact.html)
- BG**  
☎ +359 2 971 99 59  
info-bg@grohe.com
- BR**  
☎ 0800 770 1222  
falecom@lixilamericas.com
- CAU**  
☎ +99 412 497 09 74  
info-az@grohe.com
- CDN**  
☎ +1 888 6447643  
info@grohe.ca
- CH**  
☎ +41 44 877 73 00  
info@grohe.ch
- CN**  
☎ +86 4008811698  
info.cn@grohe.com
- CZ**  
☎ +420 277 004 193  
info-cz@grohe.com
- DK**  
☎ +45 44 65 68 00  
grohe@grohe.dk
- E**  
☎ +34 93 / 3 36 88 50  
grohe@grohe.es
- EST** **LT** **LV**  
☎ +372 661 6354  
grohe@grohe.ee
- F**  
☎ +33 1 49 97 29 00  
sav-fr@grohe.com
- FIN**  
☎ +358 (09)42451390  
grohe@grohe.fi
- GB**  
☎ +44 208 283 2840  
info-uk@grohe.com
- GR**  
☎ +302102712908  
service-gr@grohe.com
- H**  
☎ +36 (06)1 238-8045  
info-hu@grohe.com
- HK**  
☎ +852 2969 7067  
info@grohe.hk
- I**  
☎ +39 2 959401  
info-it@grohe.com
- IND**  
☎ 18001024475  
customercare.in@grohe.com
- IS**  
☎ +354 515 400  
grohe@byko.is
- J**  
☎ +81-3-5775-7500  
info\_grohe@blisspajapan.jp
- KZ**  
☎ +7 775 007 05 27  
service-kz@grohe.com
- MAL**  
☎ 1800 80 6570  
customerservice.my@lixil.com
- MX**  
☎ 01 800 839 1200  
info@lixilamericas.com
- N**  
☎ +47 22 07 20 70  
grohe@grohe.no
- NL**  
☎ +31(0) 88-0030700  
[https://www.grohe.nl/nl\\_nl/onzeservice/contact.html](https://www.grohe.nl/nl_nl/onzeservice/contact.html)
- NZ**  
☎ +64 09 573 0490  
sales@robertson.co.nz
- P**  
☎ +351 234529620  
comercial-pt@grohe.com
- PL**  
☎ +48 (22) 5432640  
biuro@grohe.com
- RI**  
☎ 0800-1-047-643  
customercare-indonesia@lixil.com
- RO**  
☎ +40 021 212 50 50  
info-ro@grohe.com
- ROK**  
☎ +82 2 1588 5903  
info-singapore@grohe.com
- RP**  
☎ +63 2 89288000  
service\_center@wilcon.com.ph
- RUS**  
☎ 8 800 200 00 49  
service-ru@grohe.com
- S**  
☎ +46 771 14 13 14  
grohe@grohe.se
- SGP** **RC**  
☎ +65 6311 3611  
grohe@connectcentre.sg
- SK**  
☎ +421 948 119 343  
info-sk@grohe.com
- T**  
☎ +6629014455  
grohe-thailand@lixil.com
- TR** **AZ** **TM** **TJ**  
☎ +90 216 441 23 70  
service.turkey@grohe.com
- UA**  
☎ +380 (44) 5375273  
info-ua@grohe.com
- USA**  
☎ +1 800 4447643  
Grohetechcare@lixil.com
- VN**  
☎ (+84) 1800 6624  
cskh@lixil.com
- AL** **BIH** **HR** **KS**  
**ME** **MK** **SLO** **SRB**  
☎ +385 1 2911470  
adria-hr@grohe.com
- CY** **MT** **IL**  
☎ + 357 22465200  
service.cyprus@grohe.com
- UAE** **KWT** **BHR**  
**OM** **PK**  
☎ +971 4 421 4556  
service.UAE@grohe.com
- KSA** **LBN** **JOR**  
**IRQ** **QAT**  
☎ +961 76868616  
service.lebanon@grohe.com
- EGY** **SUD** **LBY**  
☎ + 202 26147988  
service.egypt@grohe.com
- MA** **DZ** **TN** **NGR**  
**BJ** **GH** **CI** **SN**  
☎ + 202 26147988  
service.morocco@grohe.com