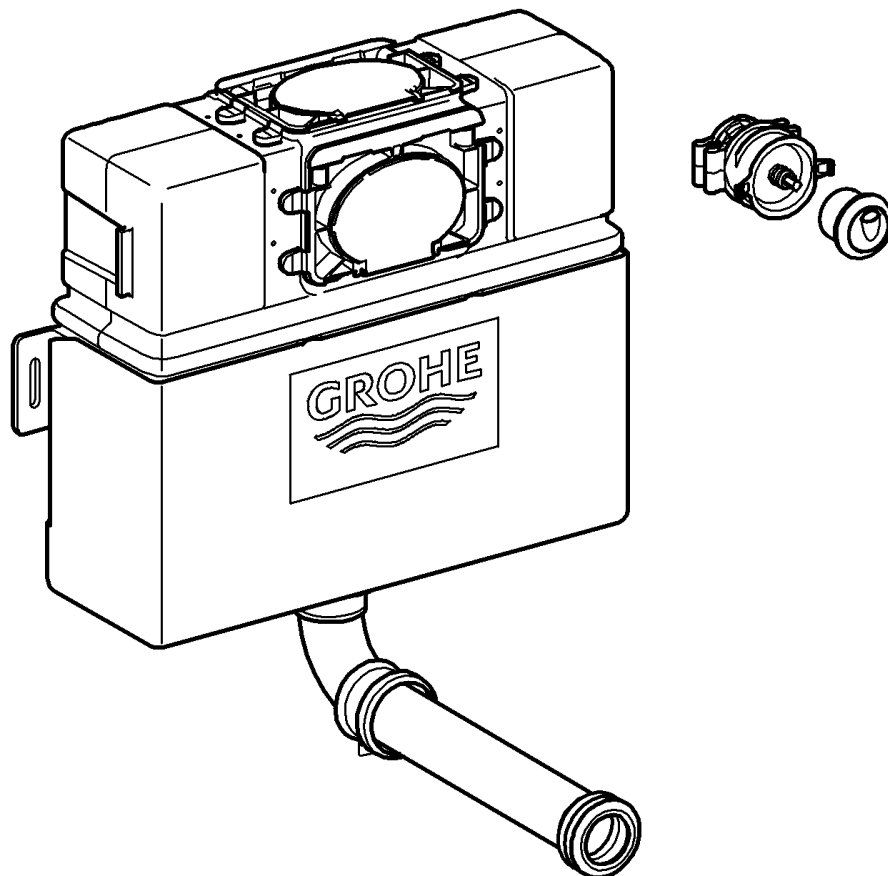


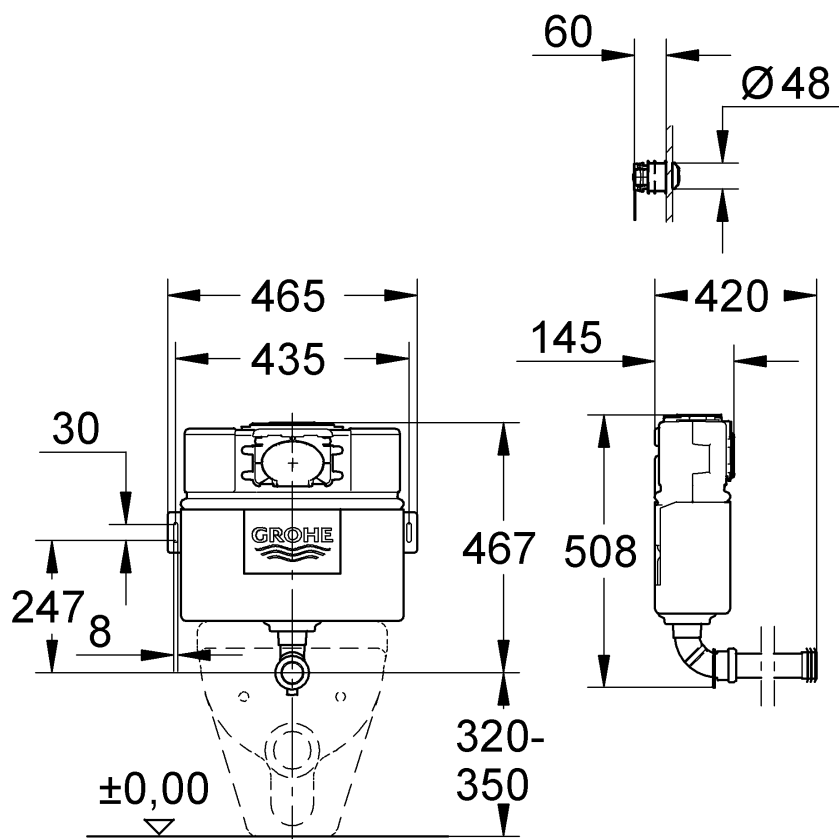
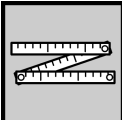
38 691



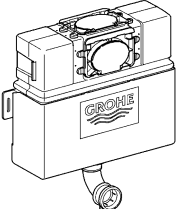
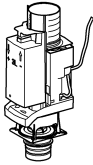
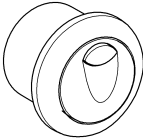
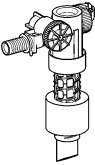
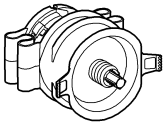
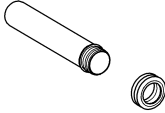
Design & Quality Engineering GROHE Germany

94.777.531/ÄM 220499/02.11

GROHE
ENJOY WATER®

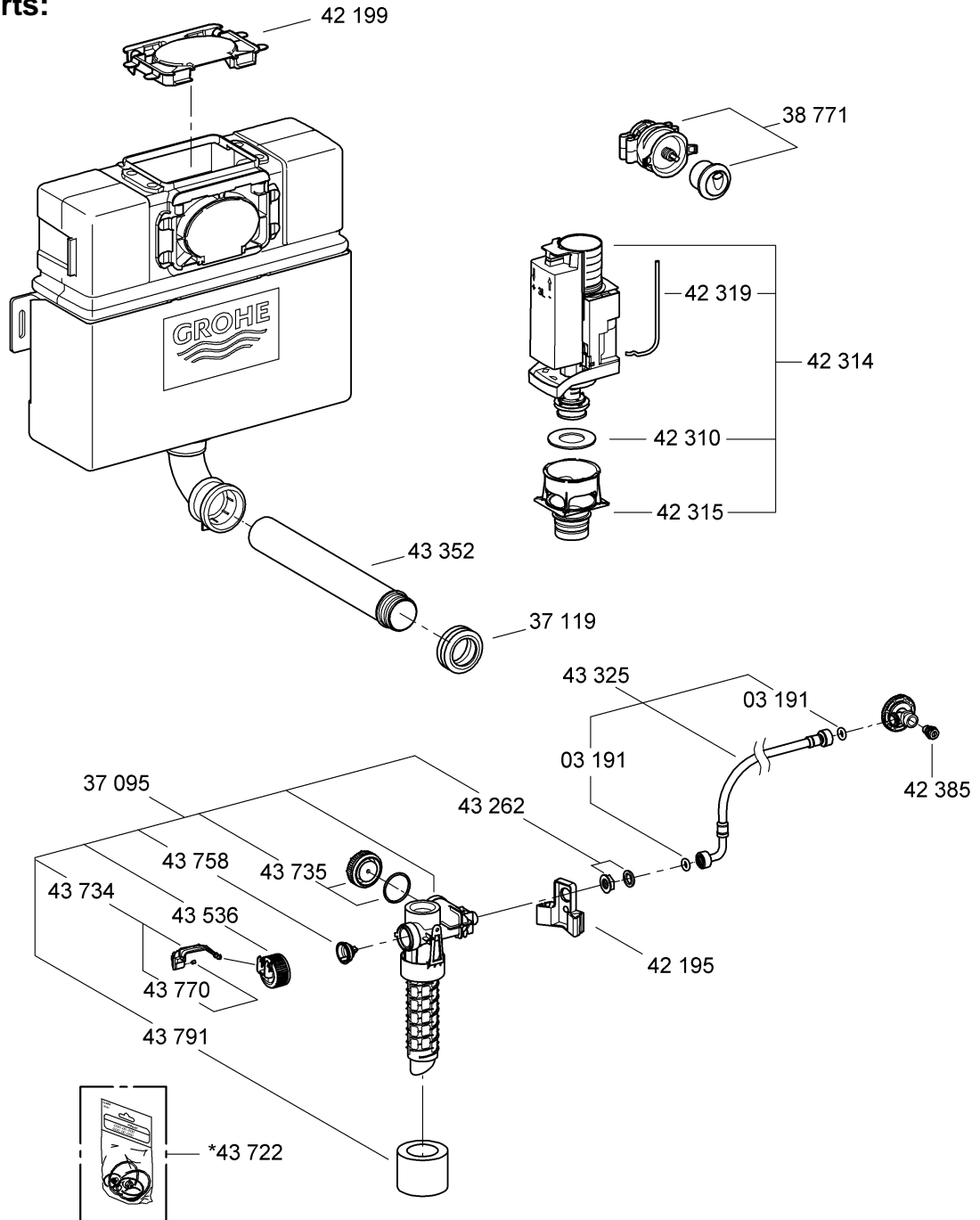


Parts delivered:

| | | | |
|--|---|--|-------------------------|
| Cistern with protection plates |  |  | Flush valve |
| Rosette and buttons |  |  | Filler valve |
| Pneumatic actuation with distance washer |  |  | Flushpipe and connector |

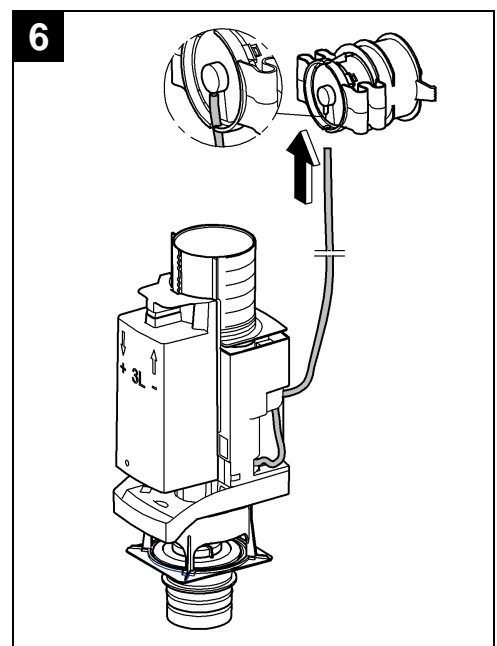
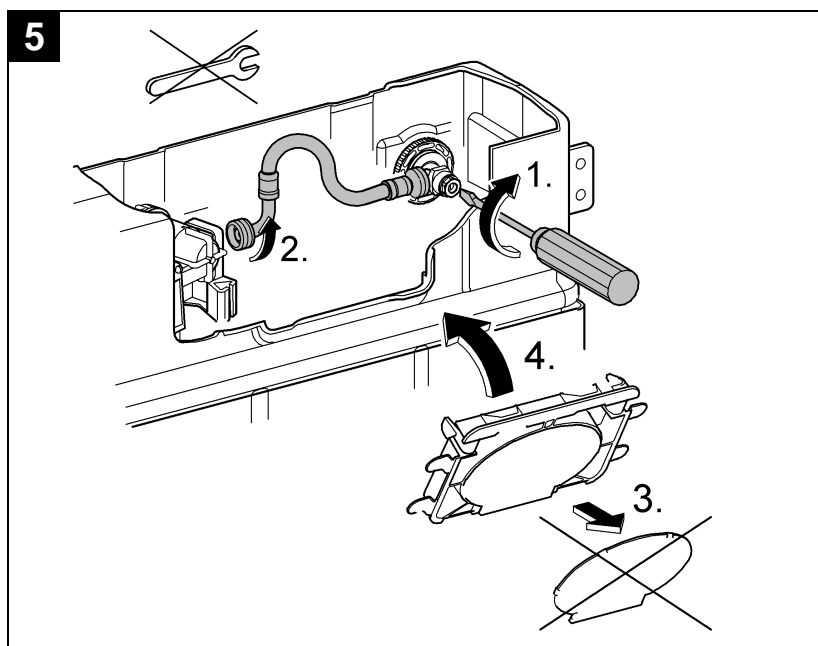
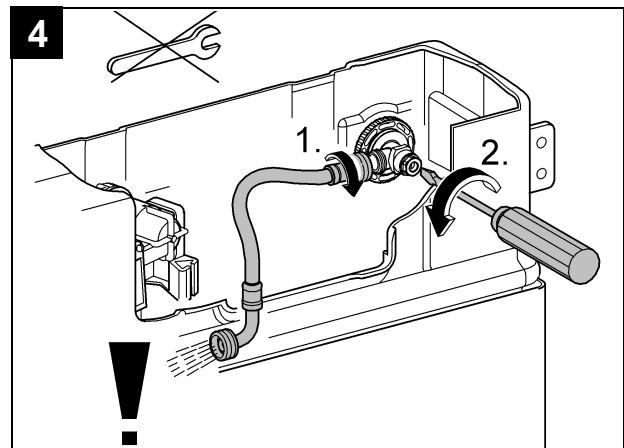
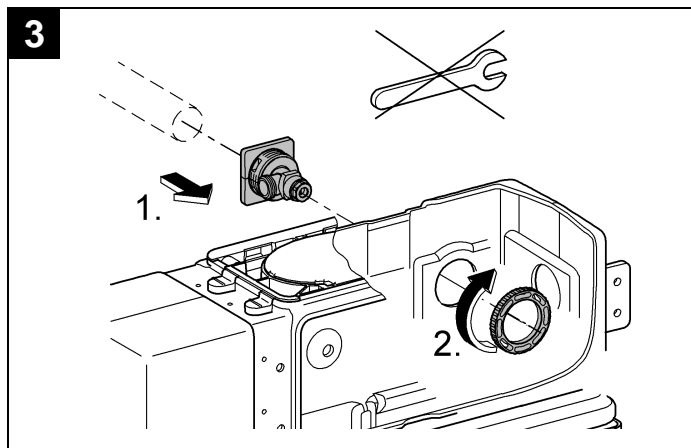
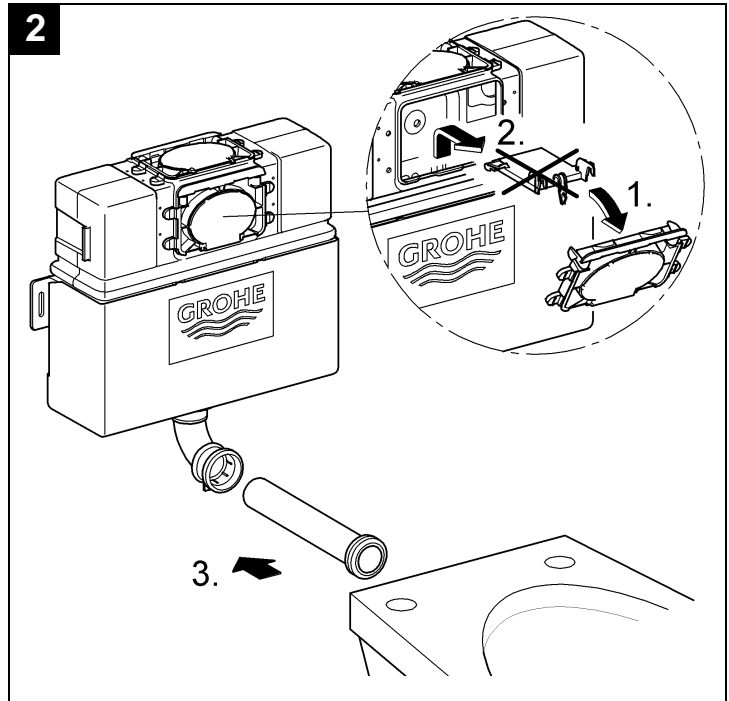
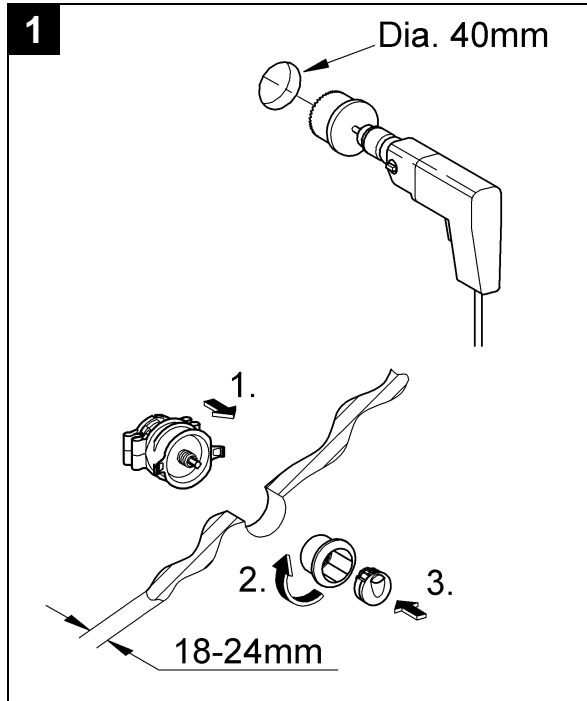
Bitte diese Anleitung an den Benutzer der Armatur weitergeben!
 Please pass these instructions on to the end user of the fitting.
 S.v.p remettre cette instruction à l'utilisateur de la robinetterie!

Spare parts:



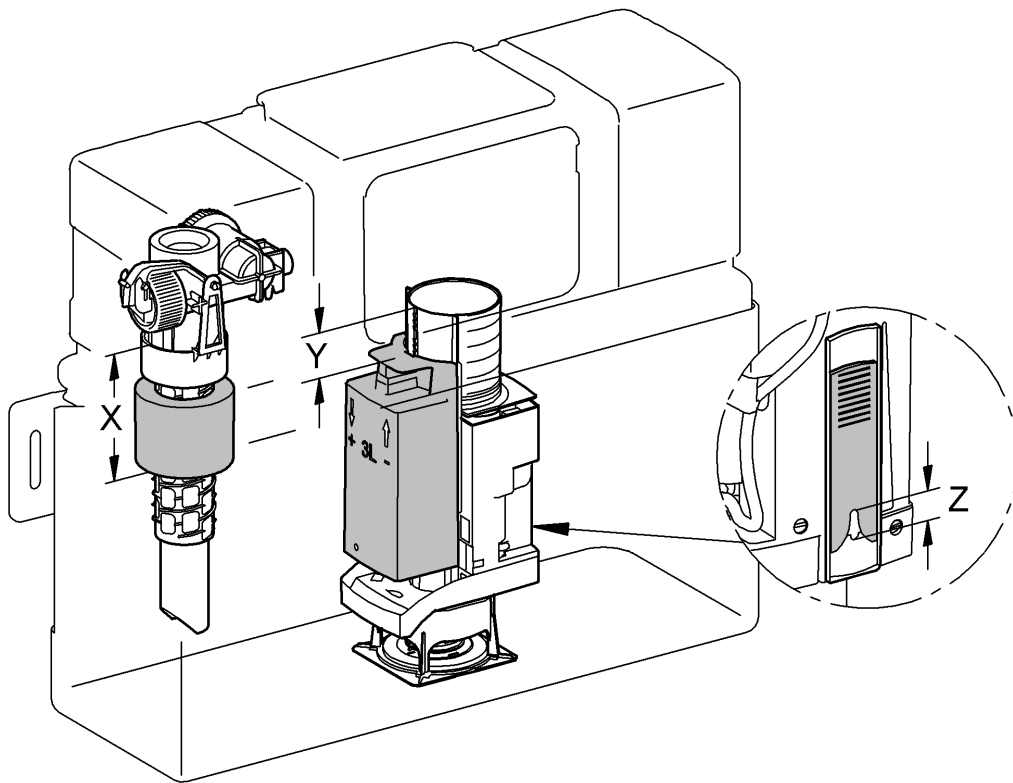
| Part No | Description | Part No | Description |
|------------|-----------------------------|------------|----------------------|
| 42 314 000 | Discharge valve, dual flush | 42 385 000 | Spindle |
| 37 095 000 | Filler valve | 38 771 000 | Actuation, complete |
| 42 195 000 | Filler valve holder | 43 352 000 | Flush pipe |
| 43 325 000 | Flexible hose | 37 119 000 | Rubber pan connector |
| 42 199 000 | Protective plate | | |

Installation:



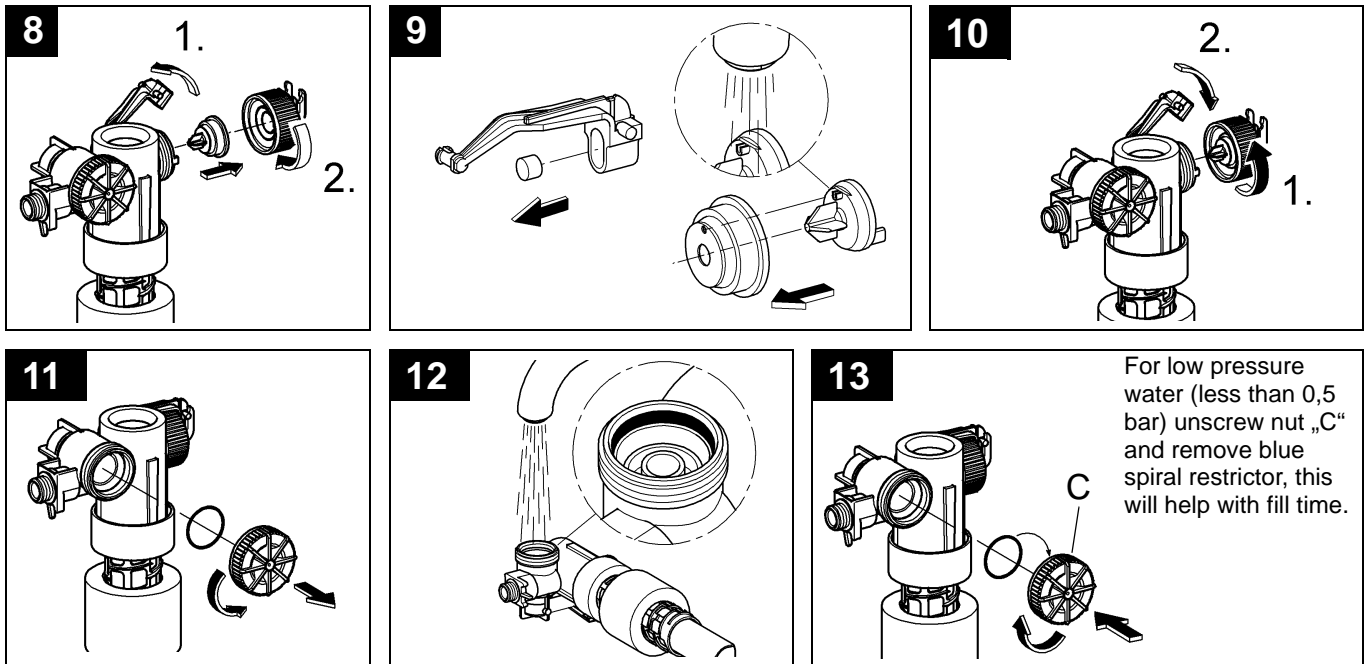
Adjustment instructions

7



| | X | Y | Z |
|--|-------|-------|---------|
| full flush: 6 ltr. reduced flush: 3,5 ltr. (factory setting) | 88 mm | 29 mm | 9,5 mm |
| full flush: 4,5 ltr. reduced flush: 3 ltr. | 98 mm | 26 mm | > 18 mm |
| full flush: > 6 ltr. reduced flush: 4 ltr. | 88 mm | 41 mm | closed |

Maintenance: Filler valve



| Fault | Cause | Remedy |
|---|---|---|
| Water continually flowing into pan, through the internal overflow | <ul style="list-style-type: none"> • Filler valve not shutting off • Water level has risen above the internal overflow pipe | <ul style="list-style-type: none"> - Check membrane washer within fill valve for any obstruction caused by debris or damage - adjust polystyrene float on fill valve so that the correct water level is achieved inside the cistern |
| Water continually flowing into pan, through the seal in cistern outlet point | <ul style="list-style-type: none"> • Drop valve not seating | <ul style="list-style-type: none"> - check seating washers and seating for any debris or damage around seal, clean if necessary - check seating of discharge valve |
| Cistern does not flush, there is no water | <ul style="list-style-type: none"> • No water supply to the cistern • Air hose connection is impaired | <ul style="list-style-type: none"> - check water supply - check isolating valve & any isolating points - check air hose is connected correctly - ensure that the air tube is not kinked |

General Notes:

1. Fill Time/Water Inlet Pressure

- the Grohe filler valve has a blue spiral restrictor, this item can be removed in cases where the inlet water pressure is below 0.5 bar. This will improve the fill time of the water level.

2. Water Level

- the polystyrene float on the filler valve regulates the water level for the cistern. The filler valve is factory set to 6 litres and can be set to 4,5 litres.

3. Air Hose Connections

- check that the air hose is correctly and securely connected, ensure the air hose is connected to the air button and the discharge valve on the cistern.

Grohe Deutschland
Vertriebs GmbH
Zur Porta 9
D-32457 Porta Westfalica
Tel.: 0 180 2 / 66 00 00
Fax.: 0 180 2 / 66 11 11

GROHE Limited
Blays House, Wick Road
Englefield Green
Egham, Surrey, TW20 0HJ
Tel.: +44 871 200 3414
Fax.: +44 871 200 3415

www.grohe.com