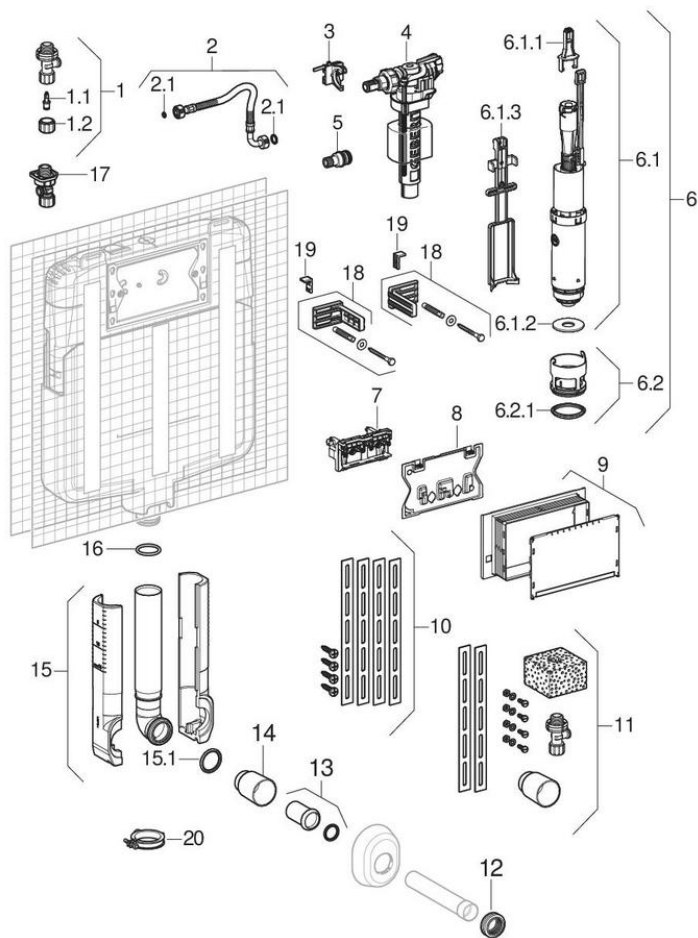


Sigma concealed cisterns 8 cm, front actuation (UP720)

2010 - 2016



Brand Geberit

Type Sigma 8 cm

Characteristics

Year of manufacture from	2010
Year of manufacture until	2016
Range	UP720

Valid for articles

109.772.00.1

Related spare parts

- Flush plates Sigma, Samba, Bolero, Twist, for dual flush
- Cover plates Sigma
- Flush plates Sigma, Rumba, Mambo, Tango, for stop-and-go flush
- WC flush controls with pneumatic flush actuation, single flush, exposed actuator
- Overview flush plates and cover plates for Sigma concealed cisterns
- WC flush controls with pneumatic flush actuation, single flush, wall-mounted foot actuator
- WC flush controls with electronic flush actuation, mains operation, dual flush, touchless, for Sigma concealed cistern 8 cm
- WC flush controls with pneumatic flush actuation, single flush, concealed actuator

#	Art. no.	Description	Replacement for	Remarks
1	242.414.00.1	Geberit angle stop valve for Sigma concealed cistern 8 cm		
1.1	240.298.00.1	Geberit spindle for angle valve with handwheel, left thread		For use with hand wheel
1.2	240.347.00.1	Geberit hand wheel for angle stop valve		
2	242.415.00.1	Geberit reinforced braided hose for Sigma concealed cistern 8 cm	242.788.00.1	
2.1	240.922.00.1	Geberit set of seals for reinforced braided hose		
3	241.286.00.1	Geberit mounting clip for Type 380 fill valve and Unica concealed cistern		
4	SPT_461085	Fill valves type 380, lateral water supply connection		
5	241.670.00.1	Geberit connecting nipple for fill valve type 380		
6	241.290.00.1	Geberit type 208 flush valve		
6.1	242.416.00.1	Geberit flush valve for Sigma and UP700 concealed cisterns 8 cm		
6.1.1	241.167.00.1	Geberit flush valve bracket for flush valves		
6.1.2	241.291.00.1	Geberit flat gasket for flush valve		
6.1.3	241.292.00.1	Geberit holding-down clamp for concealed cistern 8 cm		
6.2	242.269.00.1	Geberit type 208 basket for concealed cistern		
6.2.1	241.293.00.1	Geberit section seal for concealed cisterns 8 / 7.5 cm (from year of manufacture 2004)		
7	242.417.00.1	Geberit support block for Sigma concealed cistern 8 cm		

#	Art. no.	Description	Replacement for	Remarks
8	242.418.00.1	Geberit protection plate for Sigma concealed cistern		
9	241.826.00.1	Geberit protection box for service opening for Sigma concealed cistern, length 9 cm		
10	241.017.00.1	Geberit slotted flat iron with screws		
11	241.297.00.1	Geberit installation accessoires for Sigma concealed cistern 8 cm		
12	119.668.00.1	Geberit sleeve for flush pipe connection: d=45mm		
13	855.600.00.1	Geberit ring seal socket with seal		
14	362.796.92.1	Geberit protection plug: d=44.6mm		
15	241.294.00.1	Geberit flush bend with flush bend guide: d=56mm, L=5.2cm		
15.1	362.771.00.1	Geberit lip seal for flush pipe: d=45mm		
16	892.975.00.1	Geberit O-ring for outlet connection piece		
17	240.847.00.1	Geberit water supply connection with integrated angle stop valve, resistant to seawater		
18	465.025.00.1	Geberit fixing bracket 8 cm		
19	889.711.00.1	Geberit fixing slider		



- Only the listed articles are available