

# COMP BASK06 C

## Accessories Two Tier Corner Fixed Wire Basket



### Specification

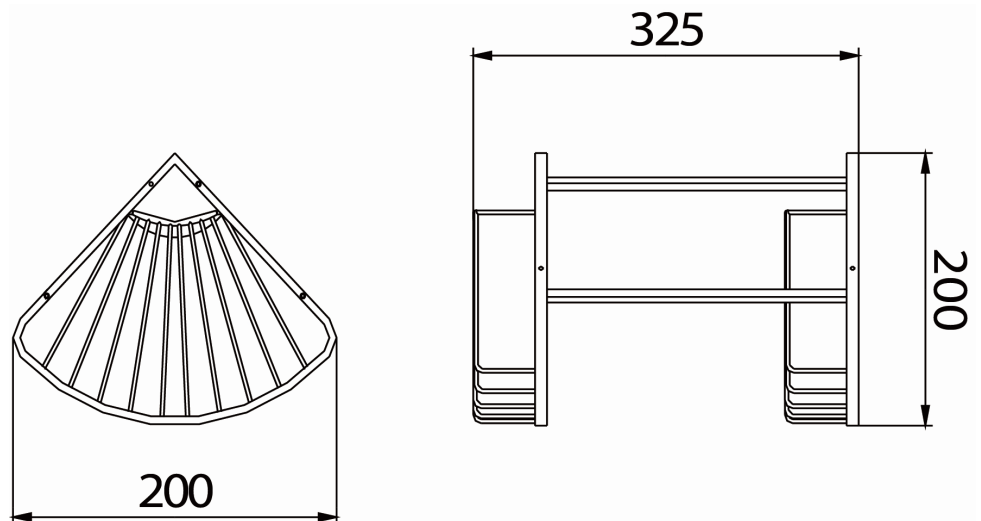
Main Construction Material:	Brass
Connection Inlet:	N/A
Connection Outlet:	N/A
Contemporary or Traditional:	Contemporary
Finish Colour:	Chrome
Isolation Included:	N/A
Left or Right Handed:	Both
Rub Clean Handset:	N/A

### Features:

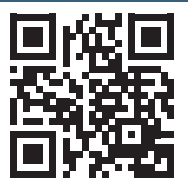
- Solid Brass Construction
- Chrome plated to BS EN 248

### Product Certifications:

### Dimensions (measurements in mm)



For more products, visit our website:  
<http://www.bristan.com>



## TECHNICAL DATA SHEET



# BRISTAN

TAPS & SHOWERS

D2