

HAND100 C

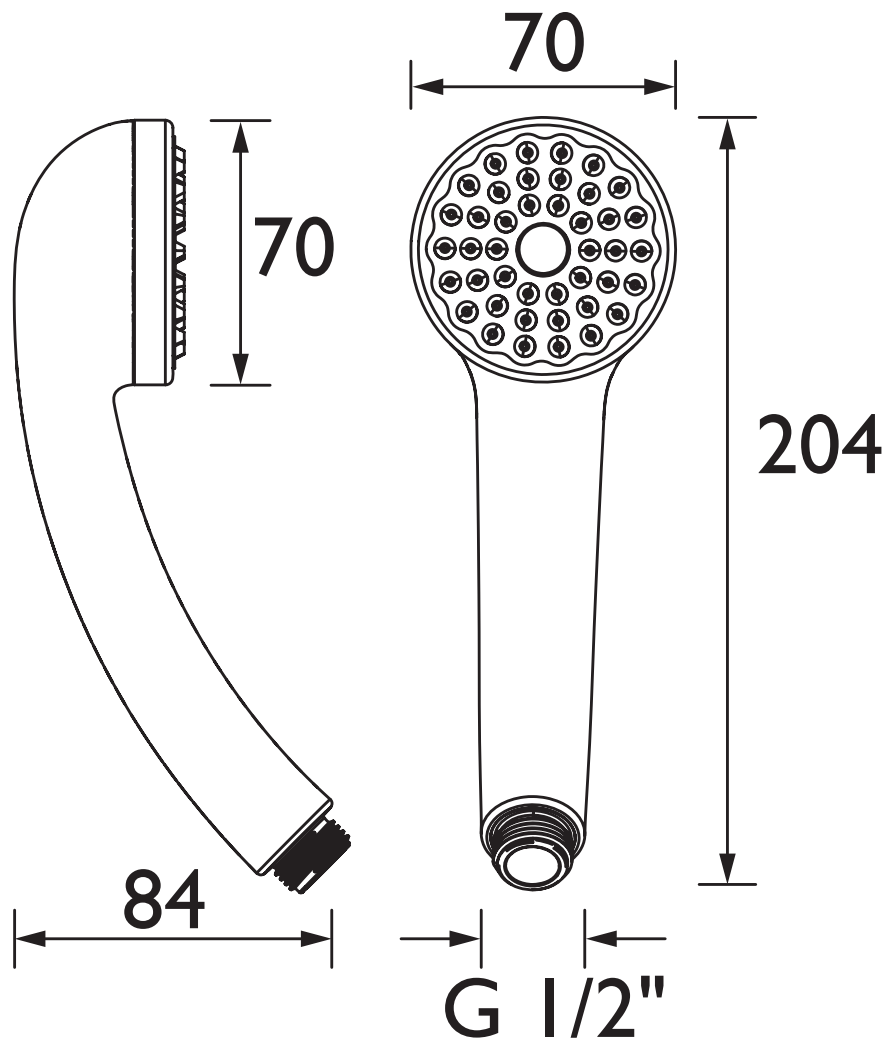
Accessories Bristan Single Function Rub Clean Shower Handset 100 Chrome



Specification

Main Construction Material:	ABS
Connection Inlet:	G1/2"
Contemporary or Traditional:	Contemporary
Finish Colour:	Chrome
Isolation Included:	No
Minimum Dynamic Pressure:	0.2 Bar
Maximum Dynamic Pressure:	5.0 Bar
Rub Clean Handset:	Yes

Dimensions (measurements in mm)



Features:

- Clam packed
- Rub clean face plate
- Suitable for all plumbing systems
- Available in chrome and white

Product Certifications:



WRAS Cert. Number: 2001024
WRAS Expiry Date: 31/01/2025

Variant SKUs:

- HAND100 W

For more products, visit our website:
<http://www.bristan.com>



TECHNICAL DATA SHEET



BRISTAN

D7