

# CAP3 SHXAR C

## CAPRI Shower Range Capri3 Thermostatic Exposed Shower Valve with Riser Kit Chrome



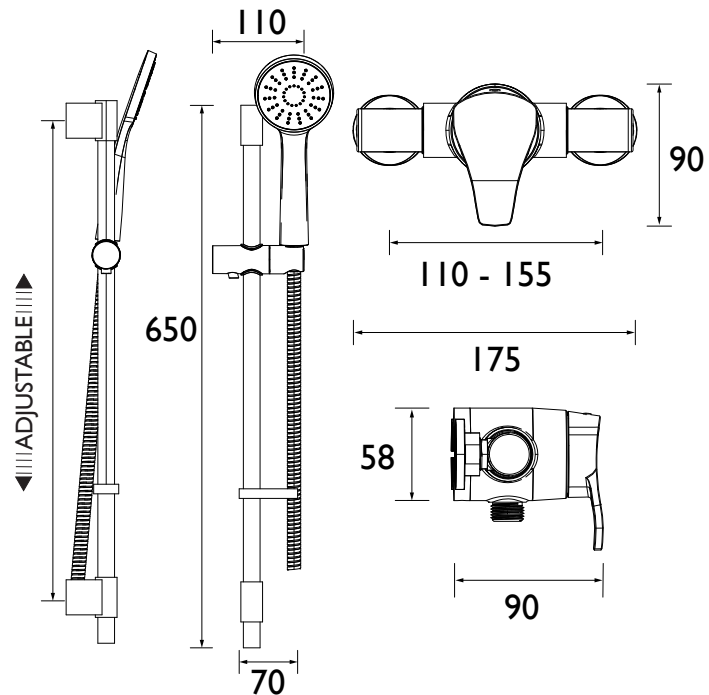
### Specification

Finish/Colour:	Chrome
Main Construction Material:	Brass
No of Controls:	1
Shower Type:	Sequential
Shower Head Type:	Adjustable
Shower Kit:	Adjustable Riser
Valve/Cartridge Type:	Thermostatic
Maximum Hot Water Supply Temperature °C:	65
Plumbing System Suitability:	Suitable for all plumbing systems
Minimum Dynamic Pressure (bar):	0.2
Maximum Dynamic Pressure (bar):	5
Maximum Static Pressure (bar):	10
Connection Inlet:	15mm Compressions
Connection Outlet:	G 1/2"
Isolation Valve Included:	No
Check Valve Included:	Yes

### Features:

- All in one box - pack includes shower valve, hose, hose retainer, riser rail and a rub-clean anti-limescale single function handset so nothing to buy separately.
- Easy installation with adjustable elbow inlets which enable you to use on existing pipework centres between 110mm and 155mm so there's no need for retiling.
- Rub-clean handset - limescale and debris build-up is quickly and easily removed by rubbing a finger or a cloth over the nozzles.
- A hard-wearing, flawless, scratch resistant chrome finish that lasts for years. Salt spray tested to ensure added durability.

### Dimensions (measurements in mm)



### Product Certifications:



WRAS Certificate No: 240403011  
WRAS Expiry Date: 30/04/2029

TMV2 Certificate No: NSF2126/0619  
TMV3 Expiry Date: 13/12/2024



### Flow Rates (l/min)

System Pressure (bar)	0.2	0.5	1	2	3	5
Through Handset (mixed)	1.4	3.1	4.3	6.1	7.5	9.7

## TECHNICAL DATA SHEET



For more products,  
visit our website:  
<http://www.bristan.com>



# BRISTAN

D1.2