

AQUALISA

ISYSTEM™

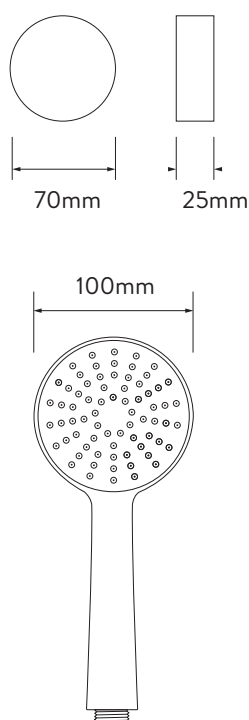
DUAL OUTLET EXPOSED

ISD.A1.EV.
DVBTX.14

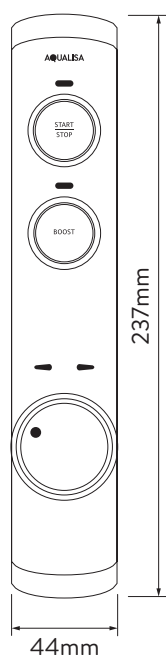
WITH ADJUSTABLE HEAD AND BATH OVERFLOW
FILLER - HP/COMBI

DIMENSIONAL DRAWINGS

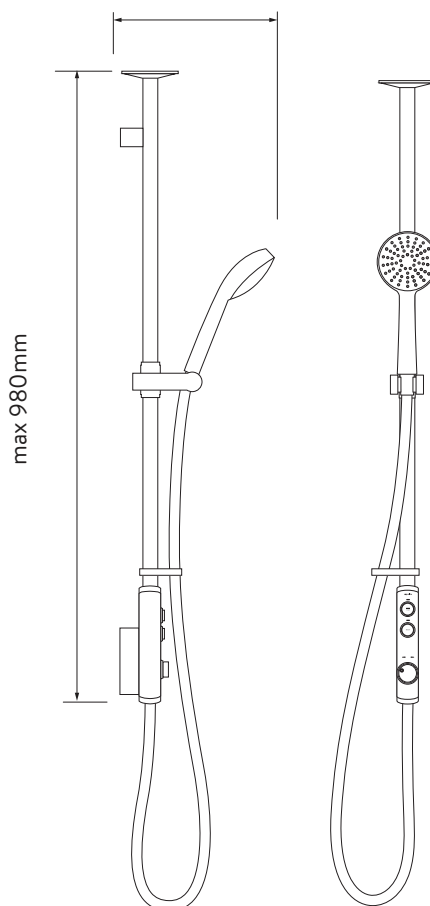
BATH OVERFLOW FILLER



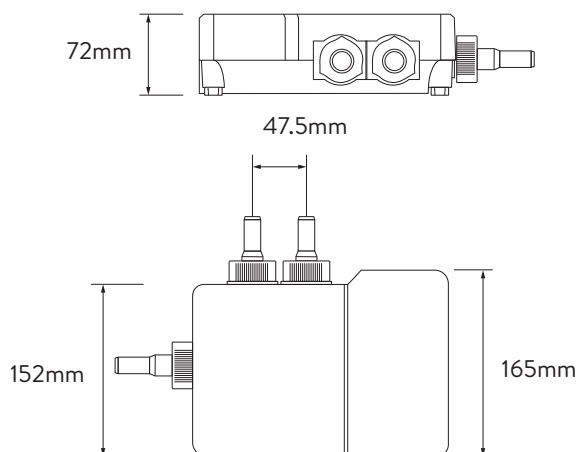
CONTROLLER



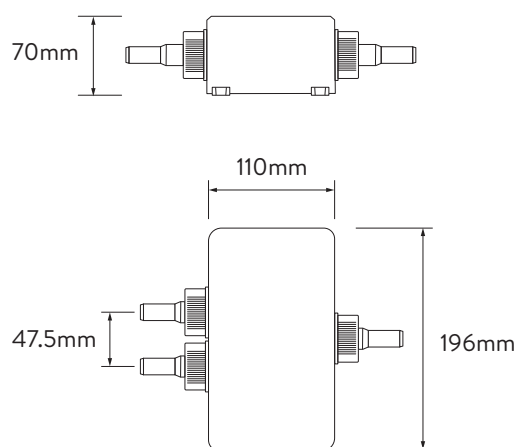
max 350mm



QUARTZ SMART VALVE



DIVERTER



AQUALISA

ISYSTEM™

DUAL OUTLET EXPOSED

ISD.A1.EV.
DVBTX.14

WITH ADJUSTABLE HEAD AND BATH OVERFLOW
FILLER - HP/COMBI

TECHNICAL SPECIFICATIONS

Minimum pressure requirements	1 bar
Maximum pressure requirements	7 bar
Quartz Smart Valve inlet fitting connections	15mm push fit
Valve inlet centres	48mm
Inlet supply positions	Hot right, cold left
Quartz Smart Valve outlet fitting connection	15mm push fit
Permissible Quartz Smart Valve sitting location	Loft, airing cupboard, under bath
Supply temperature	Cold inlet temperature 1°C (minimum) Cold inlet temperature 15°C (maximum) Hot inlet temperature 65°C (maximum)
Water system	HP / Combi / Boosted gravity
Features	One touch start/stop control
	LED display indicates when pre-selected temperature has been reached
	Compatible with wired remote control
	On installation, you can select the shower outlet you want to start first every time
	Digital diverter technology
Colour	Chrome
Guarantee period	5-year guarantee – shower unit
	2-year guarantee – shower head and kit
Approvals	CE Marking
	BEAB